

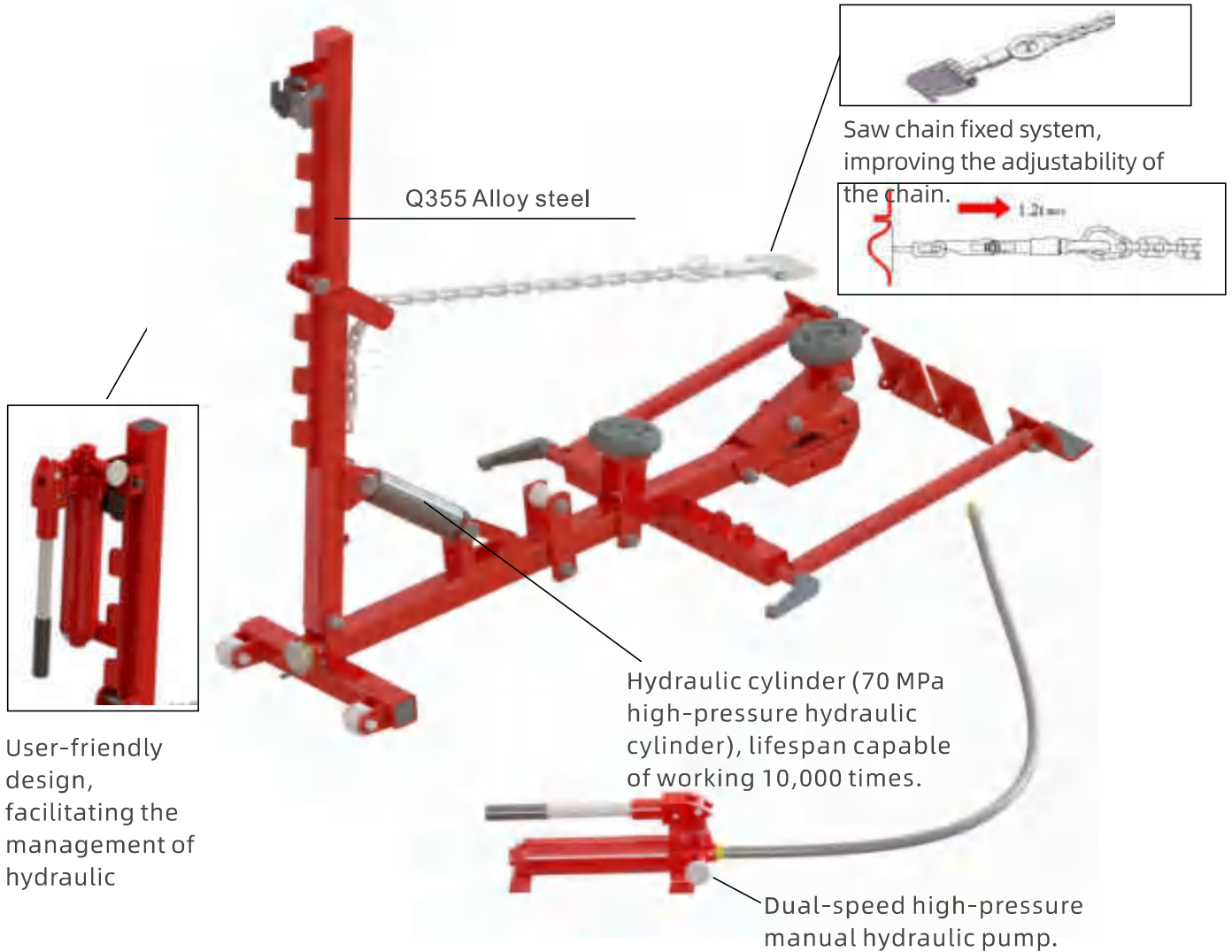
**DOOCAR**  **杜卡®**



## **FAST-D3 Quick Auto Cosmetic Straightener**

我的工作好伙伴  
**My reliable partner**  
мой рабочий партнёр

# FAST-D3 Quick Auto Cosmetic Straightener

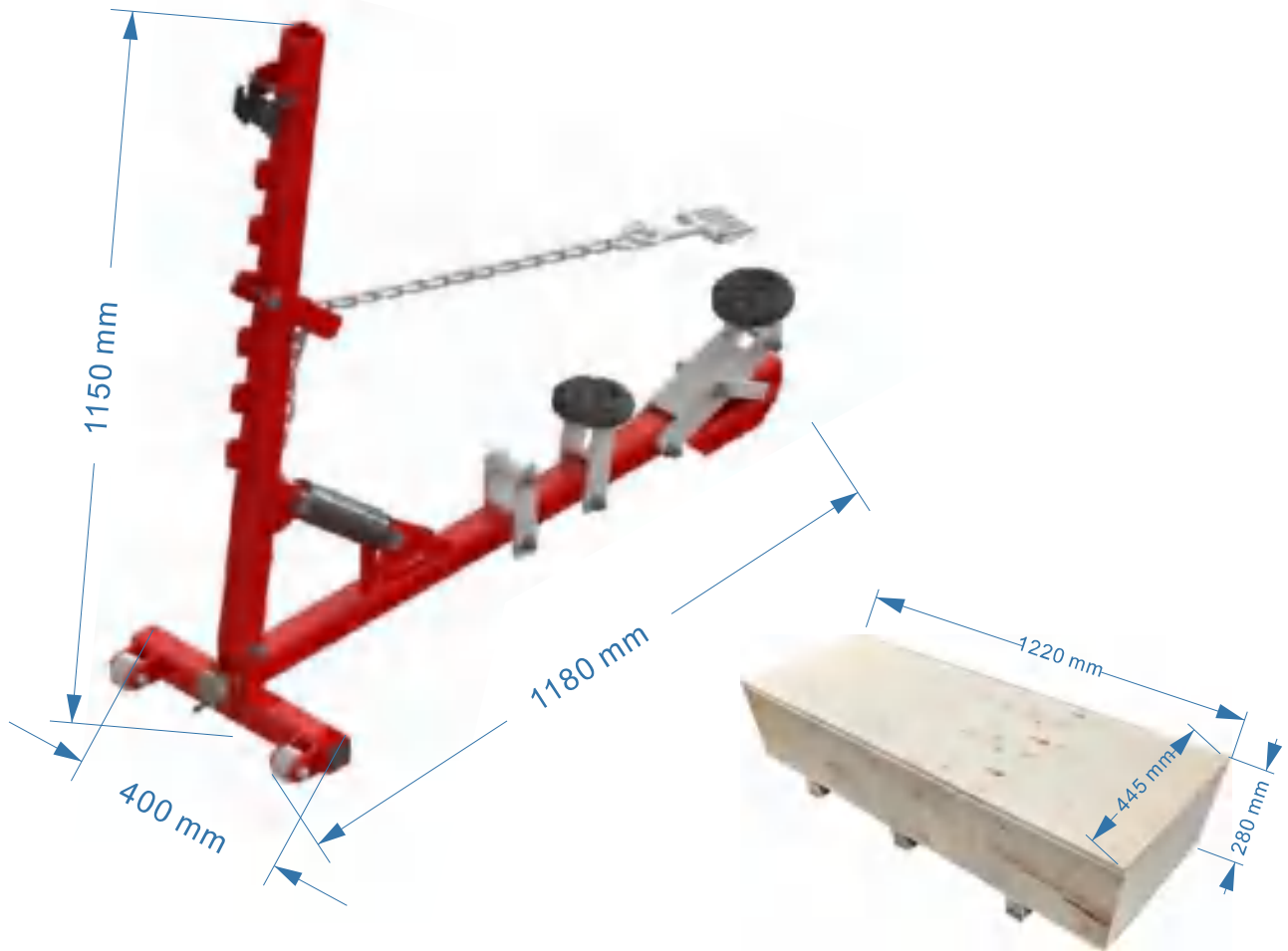


User-friendly design, facilitating the management of hydraulic

## Typical Features

- 1.Auto cosmetic straightener for small to medium collision repair
- 2.It can be used to repair the depression of automobile lower side beam, sheet metal parts with ribbed plate waist line and other parts.
- 3.Dents can be repaired at different heights of body panels
- 4.The 3-ton oil cylinder is adopted, with strong hydraulic power, and the repair of reinforcement line is easy and fast.
- 5.Replace the traditional slide hammer and use it more efficiently
- 6.Multi angle stretching repair, multi-directional stretching repair can be carried out through pulley
- 7.Take the vehicle body as the fulcrum and fix it quickly for tensile repair
- 8.Powder coated surface adapted to prevent rusting of components, with good wear resistance and adhesion.

# FAST-D3 Quick Auto Cosmetic Straightener



## FAST-D3 Specification

Length	1180mm
Width	400mm
Height	1150mm
Net Weight	48kg
Gross Weight	61kg
Hydraulic Pressure	70Mpa
Pulling Capacity	5T

## Basic Configuration

Pulling tower	1 set
Chain with Grab	1 set
8# Chain	1 set
6 claw pulling hook	1 piece
Rocker Pannel Arm	1 piece
Hook Connector	1 piece
Hand Pump	1 piece
5T Cylinder	1 piece



## Doocar Auto Engineering (shanghai) Co.,ltd

Room 2018 North Building, No. 5588 Caoan road,  
Anting Town, Jiading District, Shanghai City

TEL: +86 18863316058

[www.doocarliner.com](http://www.doocarliner.com)

Email: [info@doocarliner.com](mailto:info@doocarliner.com)