

www.meoktong.co.kr

POLVEN SLIDE POLE



POLVEN

POLVEN MEANS

Polven is a compound word combining 'pole' and 'ven' from adventure, and means an adventure with a pole.

Enjoy a fun camping adventure with convenient and sturdy poles.

MEOKTONG CORPORATION

COMPANY OVERVIEW

Corporation Name	MEOKTONG Corp.
CEO	Myeonghyeon Ryu
Date of establishment	2020. 06. 19
Address / Contact	213, Songsan-ro, Ilsanseo-gu, Goyang-Si, Gyeonggi-do, Republic of Korea TEL. +82-31-814-7979 FAX. +82-31-918-9002
Type of Business	Manufacturing, Wholesale
Major product	Tent pole
Website	www.meoktong.co.kr

COMPANY HISTORY

- 2020**
 - 06 Established a Corporation
 - 09 ISO9001, ISO14001 certificated
- 2021**
 - 09 Patent registration, 1 case (Registration No.: 10-2310159 / 2021.09.30 / Invention name: Height applicable clothes rack)
 - 12 Export Frontier Company Certification
- 2022**
 - 02 Applied for a patent, 1 case (Application No.: 10-2022-0023554 / 2022.02.23 / Invention name : Folding length adjustment device)
 - 06 Design registration, 1 case (Registration No.: 30- 1168079 / 2022.06.08 / Invention name: Tent pole)
 - 08 Europe Design registration, 1 case (Registration No. : DM / 219940 / 2022.08.05 / Invention name: Tent pole)
- 2023**
 - 02 Applied for a PCT, 1 case (Application No.: PCT/KR2023/002176 / 2023.02.15 / Invention name: Folding Length Adjustment Device)
 - 03 Admission the '청년창업사관학교'
 - Patent registration, 1 case (Registration No.: 10-2518193 / 2023.03.31 / Invention name: Length-adjustable pole)
 - 08 Applied for a Patent, 6 countries (Invention name: Length-adjustable pole)
 - Design registration, 1 case (Registration No.: 30-1228806 / 2023.08.18 / Invention name: Spring button for camping products)
 - 09 US Design registration, 1 case (Registration No.: DM / 219940 / 2023.09.06 / Invention name: Tent pole)
 - Research & Development Dept. certificated

CERTIFICATION STATUS



POLVEN SLIDE POLE



POLVEN SLIDE POLE

COLOR

Black, Red, Titan, Silver

MATERIAL

Pipe: Aluminum (6N01)
Cap: Zinc (ZNDC2)

SIZE

2,100mm

Storage length: 91.7cm (Three-tier)

Weight: 0.69kg

2,800mm

Storage length: 99.7cm (Four-tier)

Weight: 0.98kg

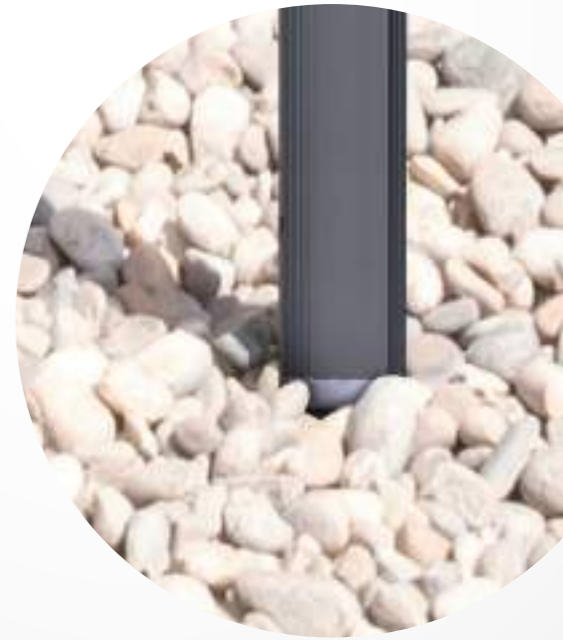


* Size: Upper pin size 4cm excluded



2,100mm (Three-tier)

2,800mm (Four-tier)

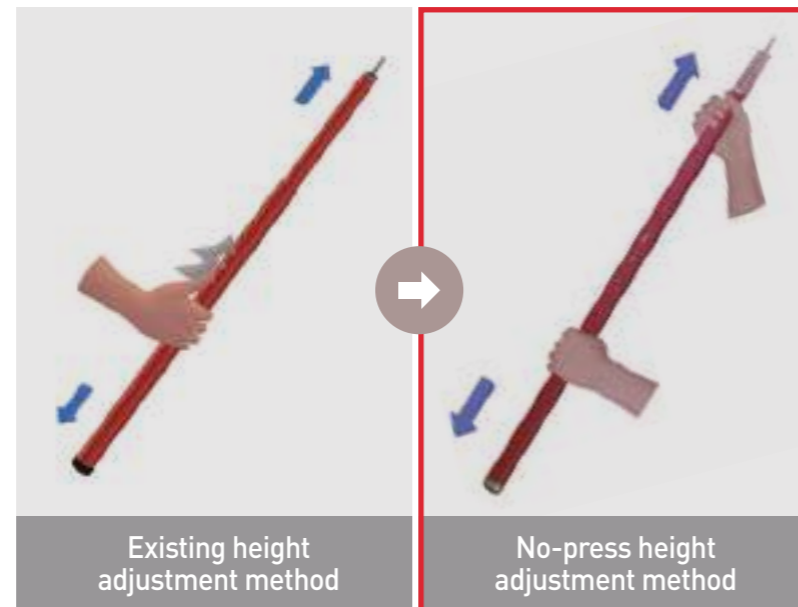


PRODUCT CHARACTERISTIC

Remarkable change in the height adjustment method
(=No-press height adjustment method)

- When adjusting the height of poles, it can be adjusted and fixed in height without pressing the buttons. (The height of poles can be adjusted by raising and lowering the outer pipe.)
- It takes less time and labor to adjust the height of the pole because of convenient height adjustment.
- There are no safety issues such as fingers getting caught in button holes.
- Even if there is a load, the height can be adjusted.

It breaks the stereotype of 'Button is an object to be pressed'.



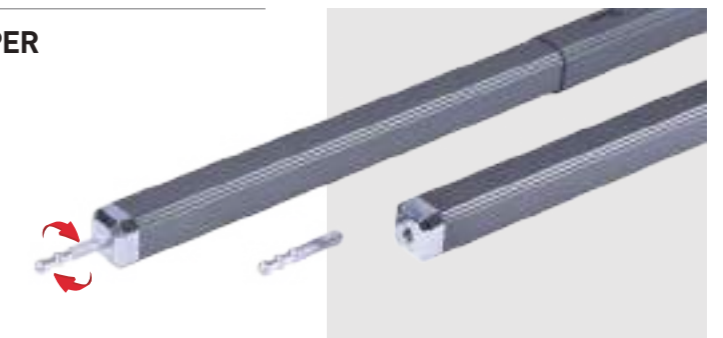
STRONG DURABILITY

MULTI-PURPOSE CAP

- Octagonal surfaces support each other and have strong durability despite their thin thickness. * Pipe thickness: 1.2 mm
- The shot blast process enhances aesthetics by trimming the aluminum surface and sharp edges.
- It can withstand loads up to 267kg.
- The upper / lower caps are made by die-casting method to enhance durability and minimize corrosion problems.
- Tabs in the middle of the cap allow attachment and detachment of various parts including pins . (It can be used according to the situation and preference.)
- It`s more aesthetic than conventional rubber caps.



UPPER CAP



LOWER CAP





MEOKTONG Corp.

213, Songsan-ro, Ilsanseo-gu, Goyang-Si, Gyeonggi-do, Republic of Korea

T +82. 31. 814. 7979 **F** +82. 31. 918. 9002

www.meoktong.co.kr