

A3817B

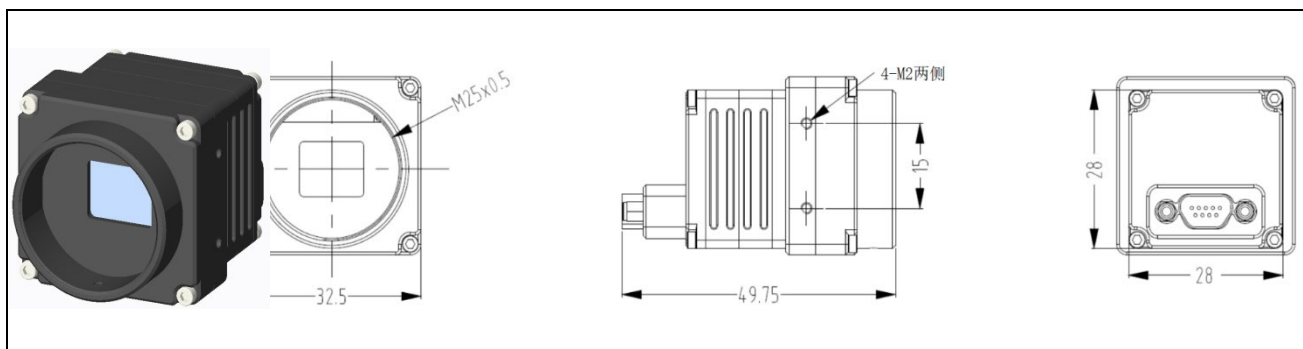
Uncooled Thermal Module

Technical Data



JIANGSU ASCENDENT OPTRONICS INC.

Performance						
Detector Type		Uncooled microthermal VOx FPA				
N.E.T.D		<40mK (@f/1.0,50Hz,300K)				
Resolution		384 x 288				
Pixel size		17μm				
Wave range		8-14μm				
Environment						
Operating Temperature		-40°C to +55°C				
Storage Temperature		-40°C to +70°C				
Humidity		95% Relative humidity, Non-condensing				
Protection Rate		IP45/IP67 (Customize)				
Physical						
Weight		≤70g, Without Lens				
Size		≤50mm(L)x28mm(W)x28mm(H), Without Lens				
Interface & Electronics						
Interface		J30J-9				
Power Supply		DC 3-10V				
Video Output		Combined: PAL@50Hz(NTSC@60Hz optional)				
Digital Output		CameraLink Customize				
Control		RS232(Default), RS485, RS422(Customize)				
Power Consumption		≤1.5W(Static)				
Start Up Time		≤15s				
Boot mode		Power on				
Optional Accessories						
Lenses		7mm: 52.1° x 39.4° 19mm:19.5° x 14.7° 50mm:7.5° x 5.6° Customize				
DRI [Human: 1.7m x 0.6m]				DRI [Car: 2.3m x 1.5m]		
Lens	Detect	Recognize	Verify	Detect	Recognize	Verify
7mm	206	51	26	631	158	79
19mm	559	140	70	1714	428	214
50mm	1471	368	184	4510	1127	564
Dimension						

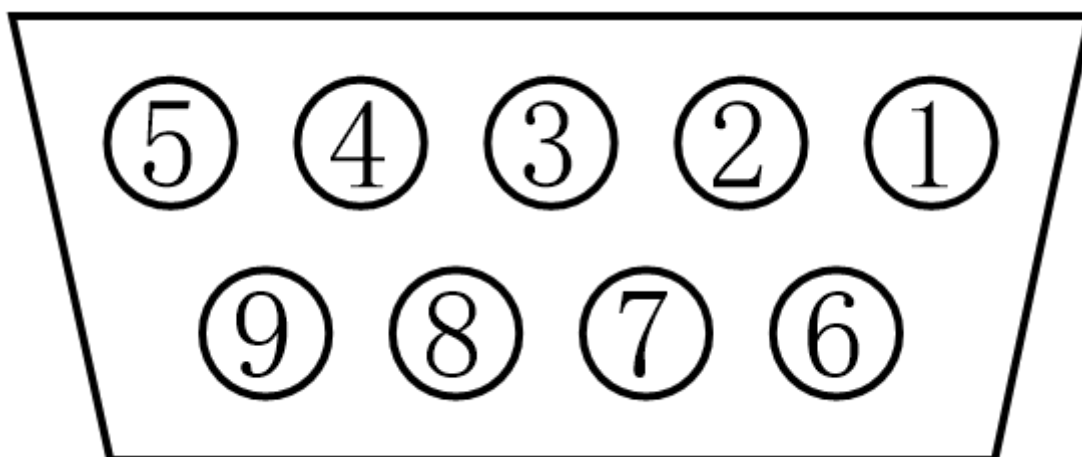


Interface definition

- 1 The interface adopts 9 Pin connector J30J-9. Includes power, video, communication and other functions.

Pin	Definition	Description
1	POW+	power supply, 3-10V DC
2	VIDEO	Analog video output, PAL
3	GND	Serial port ground/ video ground
4	RS232_RXD	System -> Thermal Image
5	-	-
6	GND	Power ground
7	-	-
8	RS232_TXD	Thermal image -> system
9	-	-

The sequence of lead out is as follows:



- 2 Mini CameraLink at this version is not available.

September 11, 2018