

# GENERAL GRANULATOR WSGP/GD SERIES

## Features

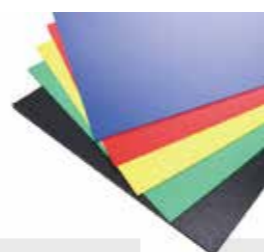
- › Applicable for crushing general plastics materials, including **sheets, tube, profile, packing materials, injection and blow molded.**
- › WSGD intends for **containers, thin-wall tubes, blow-molding parts including bottles and housing.**
- › Staggered blades ensure uniform granules and high efficiency.
- › The gap between rotary and fixed blades is adjustable.
- › Equipped with motor overload protector, isolation switch and safety switch to protect machine and operator.
- › Fine bearing allows long term durability.
- › Advanced production technics achieve high precision matching of important parts, such as frame and blade cutter.



Pipe



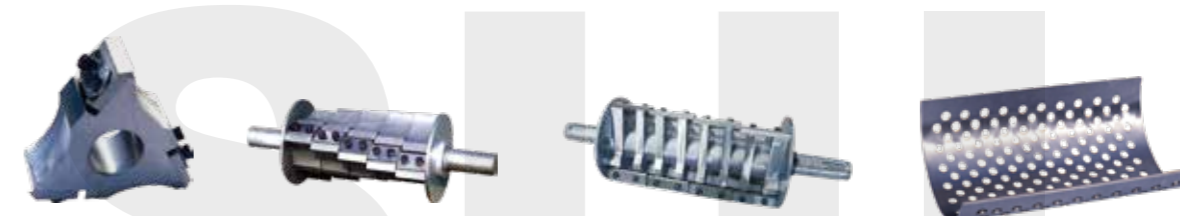
Profile



Plate



Sprue



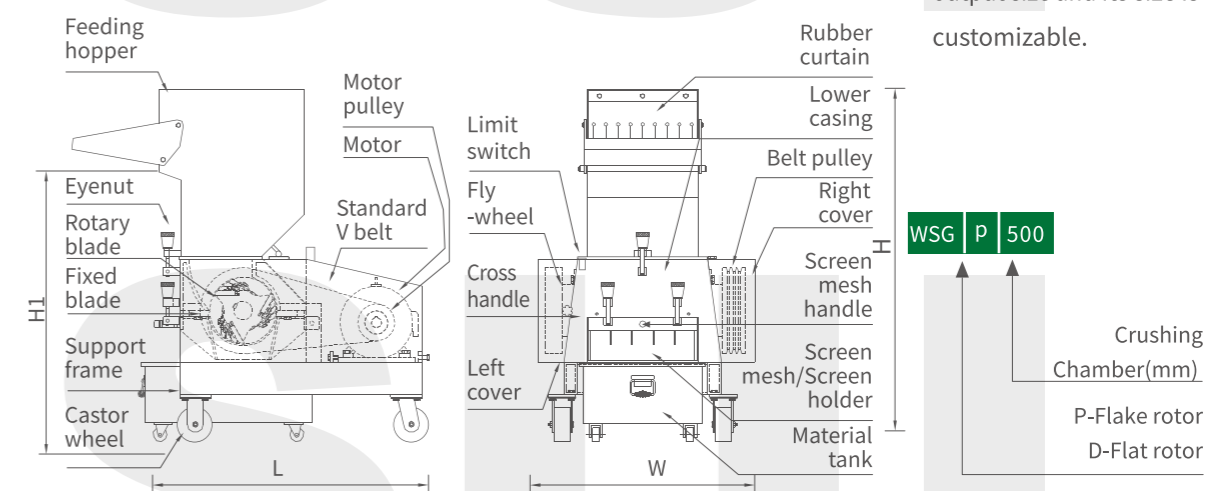
Flake blade

Flake rotor

Flat rotor

Screen

Screen opening determines output size and its size is customizable.



## Specifications

Model	Crushing Chamber (mm)	Through-put (kg/h)	Fixed Blade (pcs)	Rotary Blade (pcs)	Power		Screen Opening (mm)	Dimension (cm) L×W×H	From Feed Hopper to the Ground H1(cm)	Net Weight (kg)
					kW	HP				
WSGP-230	230×215	100-150	2	6	4	5	8	97×61×120	120	290
WSGP-300	310×200	150-200	2	9	5.5	7.5	8	100×72×129	100	435
WSGP-400	410×235	200-250	2	12	7.5	10	8	103×84×139	104	500
WSGP-500	515×290	300-350	2	15	11	15	8	123×101×163	123	900
WSGP-600	610×320	350-450	4	18	15	20	8	132×111×183	137	970
WSGP-800	815×470	450-600	4	24	22/30 (Optional)	30/40 (Optional)	10	173×149×230	172	2000
WSGD-960	960×610	600-800	4	12	37/55 (Optional)	50/75 (Optional)	12	258×176×268	204	3000

Power supply: 3Φ 380VAC 50Hz;

We reserve the right to change specifications without prior notice.