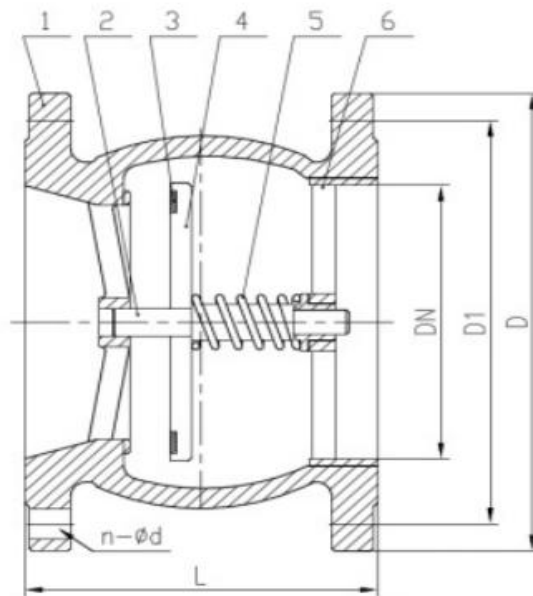
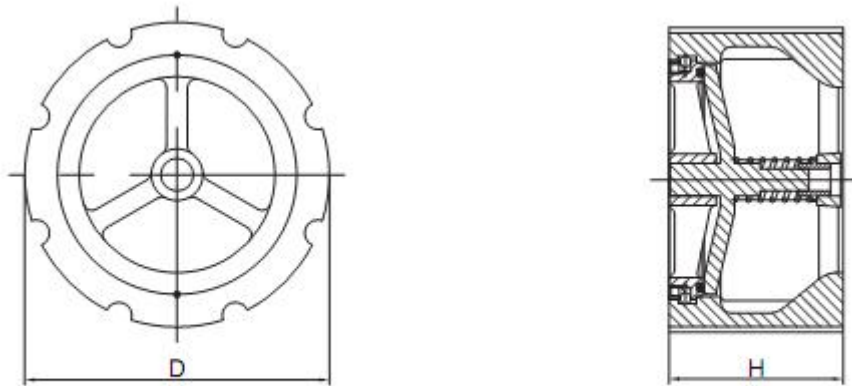




## Silent check valve, wafer/flange type

Drawing:



Dimensions:

DN	mm	50	65	80	100	125	150	200	250	300	350
	inch	2	2-1/2	3	4	5	6	8	10	12	14
	D	108	127	150	167	213	248	340	410	415	478
	H	67	73	80	102	118	140	165	210	286	350

Other sizes on request

