



Jiangyin Royal Machinery Equipment Co.,Ltd

www.seed-tray.com sales@seed-tray.com

JRM Company Introduction

Jiangyin Royal Machinery Equipment Co.,Ltd



We are located in Jiangyin city of Jiangsu province, near Shanghai port. We are a professional Plastic Seedling Tray Manufacturer Seed Nursing Tray Manufacturer of PVC PET sheet, Plastic Seedling Tray Seedling tray seed propagator for seed starter for flower, plants and tree etc.

Our factory was founded in 2006, the company has the most advanced large-scale high-speed automatic plastic molding production lines from Taiwan, and PVC, PS PET sheet extrusion production lines, according to customer demands for the production of various kinds the thickness of the plastic Seedling Tray Seedling tray seed propagator for seed starter tray (0.4mm 0.6mm 0.8mm 0.9mm 1.0mm 1.5mm 2mm) advanced equipment, strong technical force, annual production capacity of over 3000 tons of Plastic Seedling Tray Seedling tray seed propagator for seed starter .

The company has professional and technical personnel, with rich experience, with advanced level of industry, with the market and the needs of users, has introduced the better quality, the competitive price of the product to meet the most needs of our clients!



Company Introduction

Jiangyin Royal Machinery Equipment Co.,Ltd

How many years have you been in business?	About 20 years
How many full time employees you have?	Over 50
What's your facility size	30000 Sqm
What is your export percentage	10-15% exported
How many seed tray you manufacture?	Annually 3000tons above
How many PET sheet you manufacture?	Annually 5000tons above
How many sheet extrusion machine?	3 automatic lines
How many tray punch machine?	20 sets
How many tray dripping hole machine?	10 sets
What is your standard lead time	Mostly with stock
What is your customized time	Mold needs 10 days
Are you experienced in dealing with the legal, regulatory&administrative issues of export compliance?	Over 10 years export experience



Raw Material



Material feeding



Sheet extrusion



Splitting work



Rolling work



Roll stack



Sheet roll stock



Punch machine



Finished products



Stock warehouse



Quality Material

Jiangyin Royal Machinery Equipment Co.,Ltd



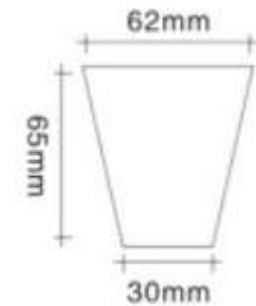
All of our raw materials are improved, have better plasticity and strength

JRM 21 cells seedling tray

Jiangyin Royal Machinery Equipment Co.,Ltd

21 cells seedling tray

Size	54x28cm
Cell qty	21 cells 7x3
Available thickness	0.4mm,0.6mm,0.8mm,0.9mm,1.0mm,1.5 mm
Material	Improved PET

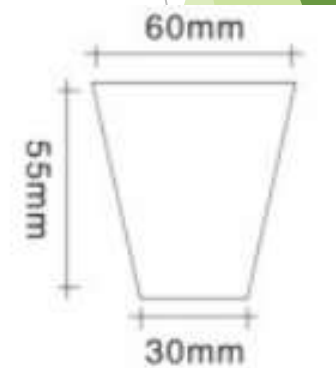


JRM 32 cells seedling tray

Jiangyin Royal Machinery Equipment Co.,Ltd

32 cells seedling tray

Size	54x28cm
Cell qty	32 cells 8x4
Available thickness	0.4mm,0.6mm,0.8mm,0.9mm,1.0mm,1.5 mm
Material	Improved PET

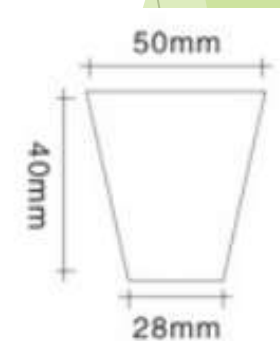


JRM 50 cells seedling tray

Jiangyin Royal Machinery Equipment Co.,Ltd

50 cells seedling tray

Size	54x28cm
Cell qty	50 cells 10x5
Available thickness	0.4mm,0.6mm,0.8mm,0.9mm,1.0mm,1.5 mm
Material	Improved PET



JRM 66 cells seedling tray

Jiangyin Royal Machinery Equipment Co.,Ltd

66 cells seedling tray

Size	54x28cm
Cell qty	66 cells 11x6
Available thickness	0.4mm,0.6mm,0.8mm,0.9mm,1.0mm,1.5 mm
Material	Improved PET



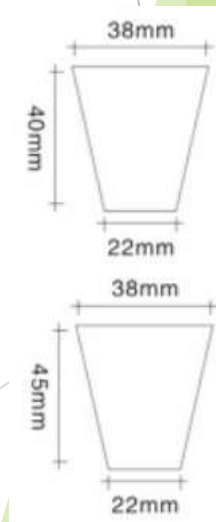


72 cells seedling tray

Jiangyin Royal Machinery Equipment Co.,Ltd

72 cells seedling tray

Size	54x28cm
Cell qty	72 cells 12x6
Available thickness	0.4mm,0.6mm,0.8mm,0.9mm,1.0mm,1.5 mm
Material	Improved PET

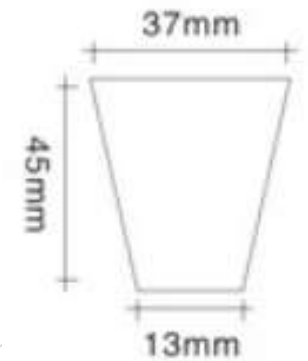


JRM 84 cells seedling tray

Jiangyin Royal Machinery Equipment Co.,Ltd

84 cells seedling tray

Size	54x28cm
Cell qty	84 cells 12x7
Available thickness	0.4mm,0.6mm,0.8mm,0.9mm,1.0mm,1.5 mm
Material	Improved PET

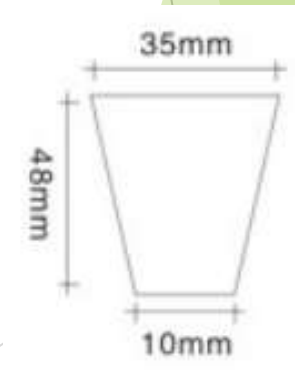
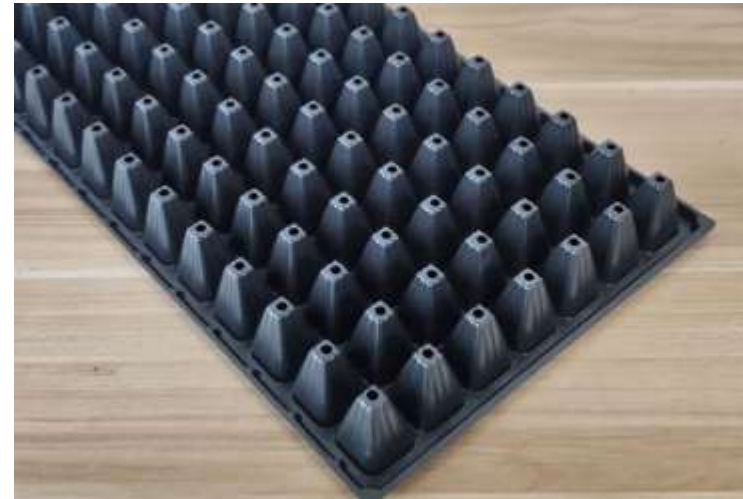


JRM 98 cells seedling tray

Jiangyin Royal Machinery Equipment Co.,Ltd

98 cells seedling tray

Size	54x28cm
Cell qty	98 cells 14x7
Available thickness	0.4mm,0.6mm,0.8mm,0.9mm,1.0mm,1.5 mm
Material	Improved PET

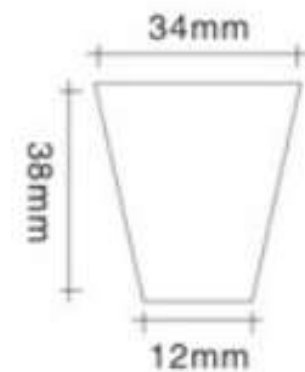


JRM 105 cells seedling tray

Jiangyin Royal Machinery Equipment Co.,Ltd

105 cells seedling tray

Size	54x28cm
Cell qty	105 cells 15x7
Available thickness	0.4mm,0.6mm,0.8mm,0.9mm,1.0mm,1.5 mm
Material	Improved PET



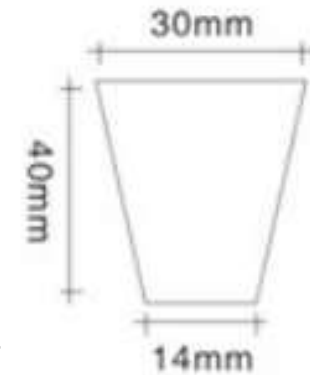
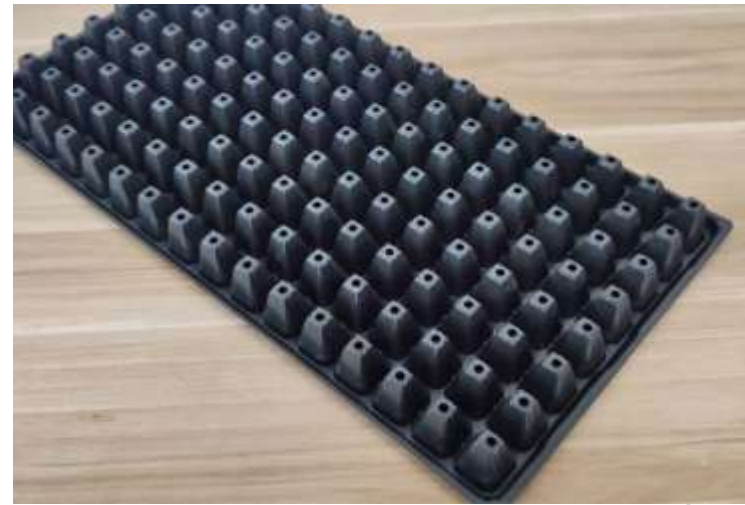


128 cells seedling tray

Jiangyin Royal Machinery Equipment Co.,Ltd

128 cells seedling tray

Size	54x28cm
Cell qty	128 cells 16x8
Available thickness	0.4mm,0.6mm,0.8mm,0.9mm,1.0mm,1.5 mm
Material	Improved PET



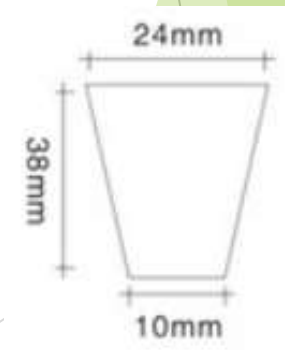


200A cells seedling tray

Jiangyin Royal Machinery Equipment Co.,Ltd

200A cells seedling tray

Size	54x28cm
Cell qty	200 cells 20x10
Available thickness	0.4mm,0.6mm,0.8mm,0.9mm,1.0mm,1.5 mm
Material	Improved PET

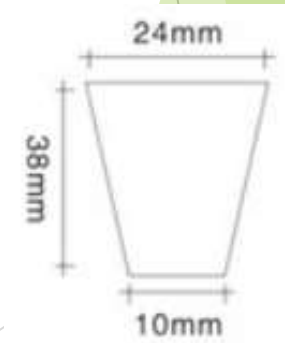


JRM 200B cells seedling tray

Jiangyin Royal Machinery Equipment Co.,Ltd

200B cells seedling tray

Size	54x28cm
Cell qty	200 cells 20x10
Available thickness	0.4mm,0.6mm,0.8mm,0.9mm,1.0mm,1.5 mm
Material	Improved PET



JRM Stock and packing

Jiangyin Royal Machinery Equipment Co.,Ltd





Abel Tsao|Sales Manager

Jiangyin Royal Machinery Equipment Co.,Ltd

Chengjiang Town, Jiangyin City, Jiangsu Province, P.R.China 214400

Tel:0086-510-86833551

Mobile/whatsapp/wechat:0086-15906155538

Email:sales@seed-tray.com

Website:www.seed-tray.com