

IR PTZ

Image	Product Name	Resolution	Zoom Ratio	Image Sensor	Focal Length	Aperture Range	Power
	PRM-H2300	2M	X23	1/2.8" Sony CMOS	5 ~ 117mm	F1.5 ~ F3.2	AC24V 36W
	PRM-H3000	2M	X30	1/2.8" Sony CMOS	4.7 ~ 141mm	F1.5 ~ F4.0	AC24V 36W
	PRB-H3600	2M	X36	1/2" Sony CMOS	5.8 ~ 210mm	F1.5 ~ F4.8	AC24V 36W
	PRS-H3600	2M	X36	1/2" Sony CMOS	5.8 ~ 210mm	F1.5 ~ F4.8	AC24V 36W
	PRW-H3600	2M	X36	1/2" Sony CMOS	5.8 ~ 210mm	F1.5 ~ F4.8	AC24V 36W
	PRW-H4200	2M	X42	1/2.8" Sony CMOS	7 ~ 300mm	F1.8 ~ F6.5	AC24V 36W
	PRW-H4040	4M	X40	1/1.8" Sony CMOS	6.6 ~ 264mm	F1.35 ~ F4.6	AC24V 36W
	PMI-H5100	5M	X10	1/2.8" Sony CMOS	4.9~47.4mm	F2.36~F2.4	AC24V 24W, PoE

2M

PRW-H3600



Product Features

Using Ultra-Low Light sensor

It has a built-in 2M 1/2" Sony CMOS sensor, so it can be monitored with high-quality images.

Powerful zoom capability

X36 Optical zoom(5.8~210mm), X16 Digital zoom supported

Graphic OSD (Korean/English/Arrows)

Implement intelligent position captions and direction indicators, support for character expression depending on location

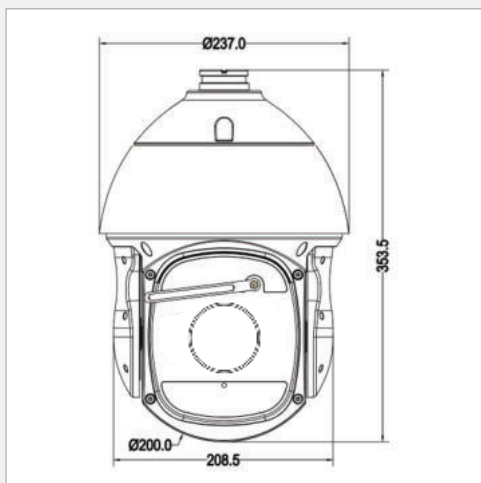
DIS/DEFOG

Minimize the effects of camera shaking, fog or smoke.

Hardware

The encoder is built in to provide precise control through feedback control.

Dimension



Product Specifications

Camera	Image Sensor	1/2" Sony Progressive Scan CMOS	
	Effective Pixels	Approx. 2.13 Mega pixels	
	Aspect Ratio	HD: 16:9 SD: 4:3	
	Zoom Ratio	Optical X36, Digital X16	
	Focal Length	f = 5.8 ~ 210mm, F1.5 ~ F4.8	
	Angle of View	60.0°(W) ~ 1.99°(T)	
	MIN. Illumination	COLOR : 0.005 Lux@F1.5, B/W : 0.0005 Lux@F1.5, 0 Lux (IR on)	
	Day & Night	Auto(CDS/CAM) / Day / Night(ICR)	
	Focus	Auto/Semi Auto/Manual	
	DNR(2D/3D)	OFF/Level Adjustment(1~5)	
	Shutter Speed	1 sec ~ 1/10,000sec(60/30 mode)	
	White Balance	Auto/Indoor/Outdoor/Manual	
	WDR/BLC	OFF/BLC/WDR(100dB)	
	Other Function	DIS, Defog(Digital), HLC	
Pan/Tilt	Pan/Tilt Range	Pan: 360° (Endless), Tilt: -8° ~ 90° (Flip)	
	Pan/Tilt Speed	Preset: 240°/sec, Manual: 0.01° ~ 240°/sec	
	Preset/Group	255 Presets with Labels / 8 groups(Max. 16 presets)	
Network	Ethernet	10Base-T/100Base-Tx	
	Video Compression	H.265/H.264/MJPEG	
	Video Stream	Main	1080p/720p
		Second	720p/D1
		Third	1080p/720p
		Fourth*	CIF
	Stream Type	Video/Complex(Video/Audio) Stream	
	Frame Rate	Max. 60 fps for 1080P/720P/D1/CIF	
	Video Bit rate	32Kbps ~ 16Mbps. Supports CBR/VBR	
	Audio Compression	Two way, G.711 A-law, G.711 μ -law, 64kbps, sampling rate 8kHz	
	Local Storage	Micro SD/SDHC/SDXC Card , Support up to 256GB	
	Web browser	IE 6.0 above, HTML5 Support	
	IVA	Motion Detection, Occlusion Detection, Line Crossing*, Region entrance/exiting*, Intrusion*, Tampering*, etc	
	Graphic OSD	Intelligent feature of displaying position and indicating direction in fixed/preset format (Character, Graphic), supporting up to 4	
	Alarm actions	Micro SD/SDCH/SDXC Record, Relay Output, Snapshot, Notification of Client	
	Max No. of Clients	10 users(Depending on user bandwidth)	
	Protocol	IPv4	IPv4/IPv6*, TCP/IP, UDP, RTP, RTSP, HTTP, HTTPS, NTP, DNS, DHCP, FTP
ONVIF		PROFILE S, T	
Security		User Authentication(ID/PW), IP Address filtering	
General	Sensor Input/Output	1 Input / 1 Output(Relay)	
	Audio Input/Output	1 Line In / 1 Line Out	
	IR Distance/Wavelength	More than 350M / Wave: 850nm	
	Power	AC24V 36W	
	Ingress protection	KC, IP66, TTA	
	Material	Body : Aluminum Die-casting	
	Dimension/Weight	Net: Ø237 x 353(H) mm / 6Kg(approx.)	
	Operating Temperature	-30°C ~ 50°C	

(*Specifications are subject to change without prior notice.

Related Products

Product Name	Resolution	Zoom Ratio	Image Sensor	Focal Length
PRW-H4200	2M	X42	1/2.8" Sony CMOS	7 ~ 300mm
PRW-H4040	4M	X40	1/1.8" Sony CMOS	6.6 ~ 264mm