

Image Intensifier Tube Gen2+ FOM 1900 16mm-18mm

This 16mm(Also available for 18mm) Image Intensifier is the smallest, lightest and most compact product available that meets Size Weight and Power requirements (SWaP) for the defense and security industry. Compared with traditional Image Intensifier, photocathode sensitivity, near-infrared sensitivity and signal to noise ratio increased by 30% -60%, 50% and 30%, respectively. The spectral range is extended more than 1000nm, so that can image 1064nm laser. A halo size is decreased within 0.7mm and 16mm. It can be supplied with ultra-high auto-gating and bright spot protection.

Key features

Photocathode Sensitivity above 1000 μ A/lm@2856K, high sensitivity in near infrared band
 Spectral range from 380nm to 1100nm, the spectral sensitivity band is extended more in near infrared.
 Smallest halo, smaller size, lighter, lower power consumption.
 Spectral Range From 380nm-1100nm
 Auto-gating



Specifications	Minimum	Typical	Maxium	Unit
Figure Of Merit	1900			
Sensitivity	2856k	1000		μ A/lm
Signal to noise ratio	28			
Limiting Resolution	64			Lp/mm
(200lx) High Light Level Resolution	48			Lp/mm
Fast Auto-Gating Power Supply Unit				
Response Time		0.25		S
Rise Time Off-to-On		0.6		S
Input Current			35	mA
Other Technical Data				
Phosphor	P43 (Also available P45)			
Operational Life Time	10000			Hours
(2×10^{-5} lx) Gain	14000			Cd/m ² /lx
Max. Output Brightness	4		10	Cd/m ²
E. B. I		2.5×10^{-7}		μ lx
Weight (16mm)		50		g
Weight (18mm)		80		g

Image Intensifier Tube Gen2+ FOM 1800

This image intensifier adopts the new MCP processing technology and photocathode manufacturing process, which has the characteristics of high resolution, high reliability, and full-time work. This type of image intensifier has a variety of specifications, including positive image plane, forward spherical surface, inverted image plane, and inverted image spherical surface.

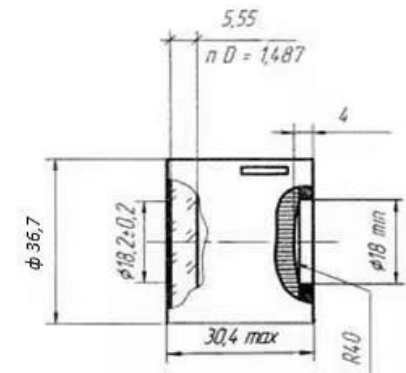
Key features

Auto-gating

Spectral Range From 380nm-900nm

Also Available in 16mm

Resolution Up To 68lp/mm



Specifications	Minimum	Typical	Maxium	Unit
Figure Of Merit	1800			
Sensitivity	2856k	850		μ A/lm
	800nm	83		mA/W
	850nm	69		mA/W
Signal to noise ratio	28			
Limiting Resolution	64			Lp/mm
(200lx) High Light Level Resolution	48			Lp/mm
Phosphor	P22 (Also available P43, P45)			
Operational Life Time	10000			Hours
$(2 \times 10^{-5} \text{lx})$ Gain	14000			$\text{Cd/m}^2/\text{lx}$
Max. Output Brightness	4		8	Cd/m^2
E. B. I		2.5×10^{-7}		μ lx
Weight (18mm)		80		g

Image Intensifier Tube Gen2+ Inverter GT4864 GT5864

GT4864 image intensifier tube is the key equipment to provide low illumination imaging for low light night vision equipments. It has a wide spectral sensitivity range and can adapt to all environmental conditions. The new production technology improves the performance and resolution of signal-to-noise ratio (SNR). Coupled with its small halo, inverted image and 10000 hours of service life, you will be attracted by its unique characteristics

GT5864 image intensifier tube is specially designed for night vision systems such as gun aiming. It has high-efficiency multi alkali photocathode, anti halo glass input window, microchannel plate electron multiplier, plane inverted optical fiber output window, and P22 or p43 fluorescent screen. These technologies provide a very high signal-to-noise ratio, wide spectral detection range, and excellent resolution under low light conditions.

Key features

Technical features

- Anti halo glass input window
- Plane inverted image output window
- Microchannel plate electron multiplier
- Lead type electrical interface
- Non auto-gated power supply technology



Specifications	GT4864	GT5864	Unit
Figure Of Merit	1000	1600	
Sensitivity	650	700	μ A/lm
Signal to noise ratio	20	23	
Limiting Resolution	51	60	Lp/mm
(200lx) High Light Level Resolution	-	-	Lp/mm
Working voltage	2.2-3.4	2.2-3.4	V
Working current	25	25	mA
(2×10^{-5} lx) Gain	8000-12000	8000-12000	Cd/m ² /lx
Max. Output Brightness	4-8	4-8	Cd/m ²
E. B. I	0, 25	0, 25	μ lx
Working illumination range	$1 \times 10^{-6} - 1 \times 10^2$	$1 \times 10^{-6} - 5 \times 10^2$	lx
Brightness uniformity (2856K)	3:1	3:1	
Photocathode diameter	17.5	17.5	mm
Power Supply	Non auto-gating	Non auto-gating (Optional)	
Phosphor	P22	P22/P43	
Weight	85	85	g

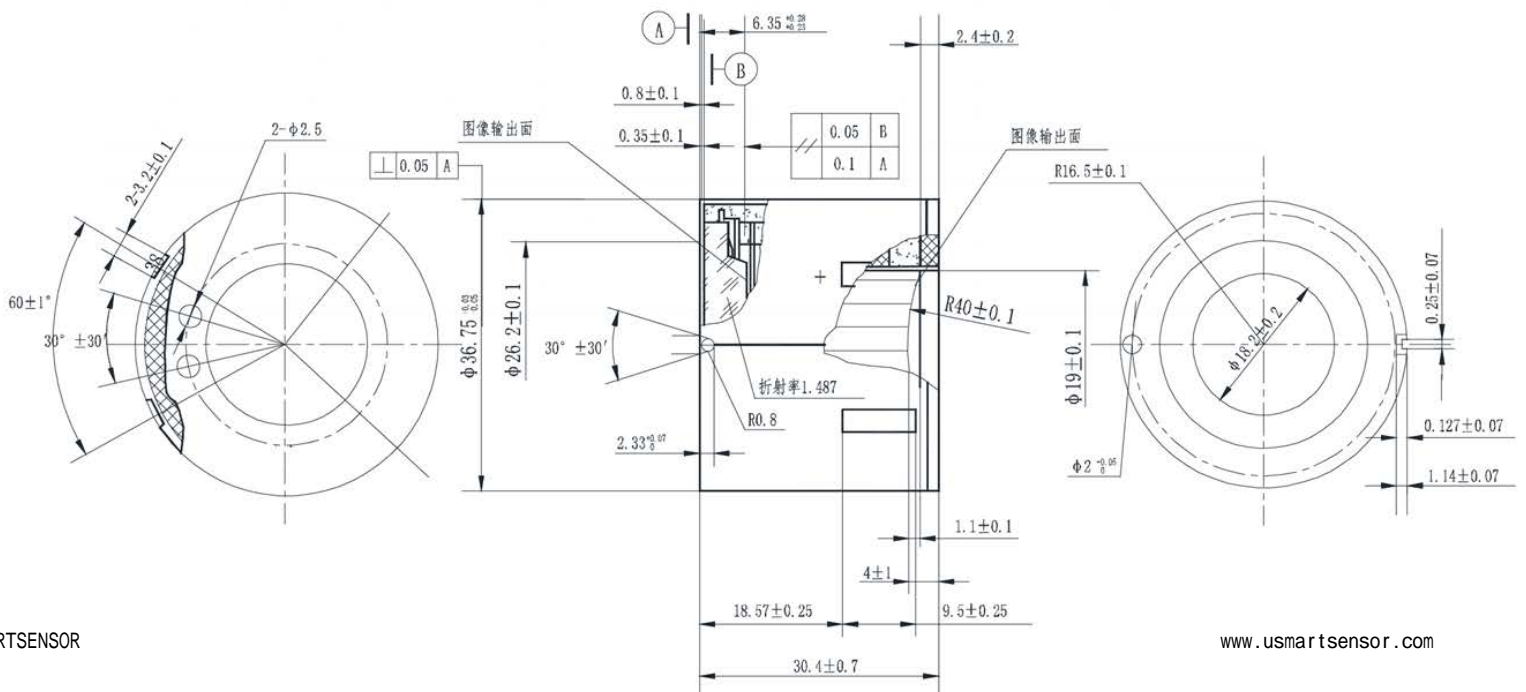


Image Intensifier Tube Gen2+ GS4824 GS5824

GS4824 image intensifier is the key equipment to provide low illumination imaging for low light level night vision equipment. It has a wide spectral sensitivity range and can adapt to all environmental conditions. The new production technology improves the performance and resolution of signal-to-noise ratio (SNR). Coupled with its small halo, inverted image and 10000 hour service life, you will be attracted by its unique characteristics.

Gs5824 image intensifier is specially designed for night vision systems such as gun aiming. It has high-efficiency multi alkali photocathode, anti halo glass input window, microchannel plate electron multiplier, plane inverted optical fiber output window, and P22 or p43 fluorescent screen. These technologies provide a very high signal-to-noise ratio, wide spectral detection range, and excellent resolution under low light conditions.

Key features

Technical features

- Anti halo glass input window
- Spherical positive image output window
- Microchannel plate electron multiplier
- Lead type electrical interface
- Non auto-gated power supply technology



Specifications	GS4824	GS5824	Unit
Figure Of Merit	1000	1600	
Sensitivity	650	700	μ A/lm
Signal to noise ratio	20	23	
Limiting Resolution	51	60	Lp/mm
(200lx) High Light Level Resolution	-	-	Lp/mm
Working voltage	2.2-3.4	2.2-3.4	V
Working current	25	25	mA
(2×10^{-5} lx) Gain	8000-12000	8000-12000	Cd/m ² /lx
Max. Output Brightness	4-8	4-8	Cd/m ²
E. B. I	0, 25	0, 25	μ lx
Working illumination range	1×10^{-6} - 1×10^2	1×10^{-6} - 5×10^2	lx
Brightness uniformity(2856K)	3:1	3:1	
Photocathode diameter	17.5	17.5	mm
Power Supply	Non auto-gating	Non auto-gating	
Phosphor	P22	P22/P43	
Weight	85	85	g

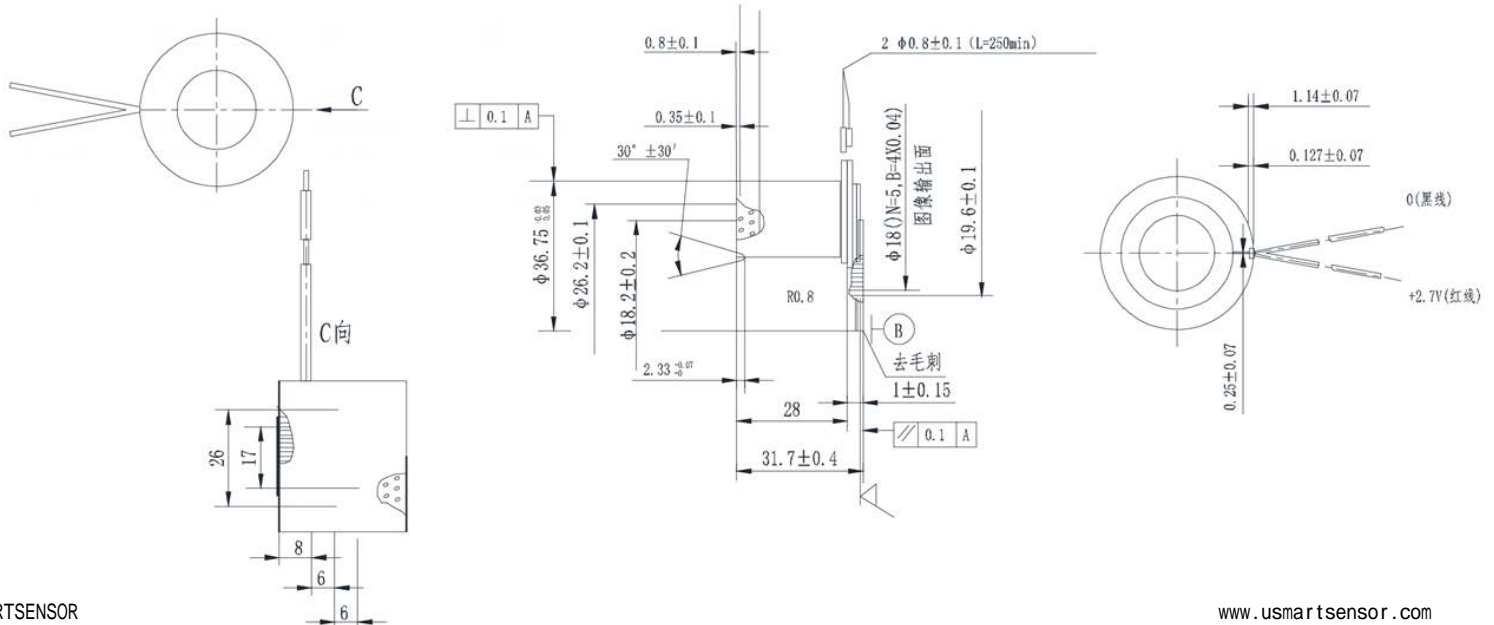


Image Intensifier Tube Gen2+ Non-inverter GF4811D GF5811D

GF4811D image intensifier tube is the key equipment to provide low illumination imaging for low light night vision equipments. It has a wide spectral sensitivity range and can adapt to all environmental conditions. The new production technology improves the performance and resolution of signal-to-noise ratio (SNR). Coupled with its small halo, inverted image and 10000 hours of service life, you will be attracted by its unique characteristics

GF5811D image intensifier tube is specially designed for night vision systems such as gun aiming. It has high-efficiency multi alkali photocathode, anti halo glass input window, microchannel plate electron multiplier, plane inverted optical fiber output window, and P22 or p43 fluorescent screen. These technologies provide a very high signal-to-noise ratio, wide spectral detection range, and excellent resolution under low light conditions.

Key features

Technical features

- Anti halo glass input window
- Spherical positive image output window
- Microchannel plate electron multiplier
- Lead type electrical interface
- Non auto-gated power supply technology



Specifications	GF4811D	GF5811D	Unit
Figure Of Merit	1000	1600	
Sensitivity	650	700	μ A/lm
Signal to noise ratio	20	23	
Limiting Resolution	51	60	Lp/mm
(200lx) High Light Level Resolution	-	-	Lp/mm
Working voltage	2.2-3.4	2.2-3.4	V
Working current	25	25	mA
(2×10^{-5} lx) Gain	8000-12000	8000-12000	Cd/m ² /lx
Max. Output Brightness	4-8	4-8	Cd/m ²
E. B. I	0, 25	0, 25	μ lx
Working illumination range	1×10^{-6} - 1×10^2	1×10^{-6} - 5×10^2	lx
Brightness uniformity(2856K)	3:1	3:1	
Photocathode diameter	17.5	17.5	mm
Power Supply	Non auto-gating	Non auto-gating (Optional)	
Phosphor	P22	P22/P43	
Weight	85	85	g

