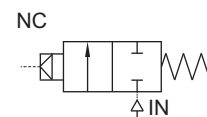


25 NB REMOTE PILOT PULSE JET VALVE

TYPE	PRESSURE

TYPE	PRESSURE

TYPE	PRESSURE
26108	0.5 - 8.5 bar



FEATURES

- Remote operation where electric supply not permitted
- Select valve type 20159 to operate the valve Refer page 369 to 372

WETTED PARTS

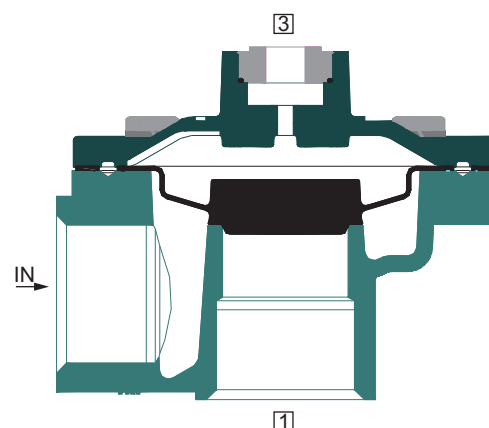
Code	※	B5
Body and Internals	Aluminium Die Cast	SS 316 Cast
Diaphragm	Hytrel, Viton	
Fasteners	SS 304	
Seat, Seals	NBR, Viton	



SPECIFICATION

FLOW FACTOR		
SIZE	3/4"	1"
(kv) lpm	230	310

RESPONSE TIME DEPENDS ON PILOT VALVE ORIFICE AND PIPE LENGTH BETWEEN PILOT AND VALVE



AMBIENT TEMPERATURE

-20 °C to 85 °C

FLUID TEMPERATURE

-20 °C to 85 °C

PORT CONNECTION

INLET	OUTLET	PILOT
2	1	3

- Contact Rotex for
- Any other ambient, fluid temperature, media and application



Use 2/2 NC PILOT Type 20159, 3.5 mm orifice for operating this valve.

SPARES (Refer page 25 for ordering code)

SPARE KIT	CODE
Diaphragm Kit : Diaphragm Set	100
Seal Kit : Oring Set Diaphragm	98
Repair Kit : Oring Set, Diaphragm, Fastener	99

25 NB REMOTE PILOT PULSE JET VALVE

SPECIFICATION

PORT CONNECTION			PRE-SSURE bar		ORIFICE (mm)	FLOW FACTOR kv (LPM OF WATER @ 1 bar ΔP)	VALVE TYPE	PILOT PRESSURE	BODY MATERIAL AND INTERNALS					SEALS					MANUAL OVERRIDE		SOLENOID ENCLOSURE		SUFFIX		POWER VA		CONSTRUCTION REFERENCE NUMBER				
SIZE	BSP(F)	NPT(F)	MINIMUM	MAXIMUM					ALUMINIUM	ALUMINIUM + SS	BRASS (STD. PORT NPT)	SS 316/CF8M (STD. PORT NPT)	NBR	Viton	EPDM	HYTREL	PTFE	NIL	STAYPUT CUM MOMENTARY	MOMENTARY	FLYING LEAD	PLUG IN, IP67	SQ. PLUG IN, IP67	TERMINAL BOX IP67	FPUB Ex d IIC, T4 OR T6, IP67	LARGE ENCLOSURE		SOLENOID SIZE	OXYGEN	AMONIA	AC INRUSH
REMOTE PILOT																															
3/4"	6G	6R	0.5	8.5	28	230	26108		×			B12	S2		×																P17
1"	8G	8R	0.5	8.5	28	310	26108		×			B12	S2		×																P17

× = Do not specify when opted for
 ✓ = Options available

ORDERING CODE, EXAMPLE VALVE

TYPE - ORIFICE - PORT CONNECTION - BODY AND INTERNALS - SEAL
 e.g. 26108-28-6G

DIMENSIONS All Dimensions are in mm

CONSTRUCTION REFERENCE P17

