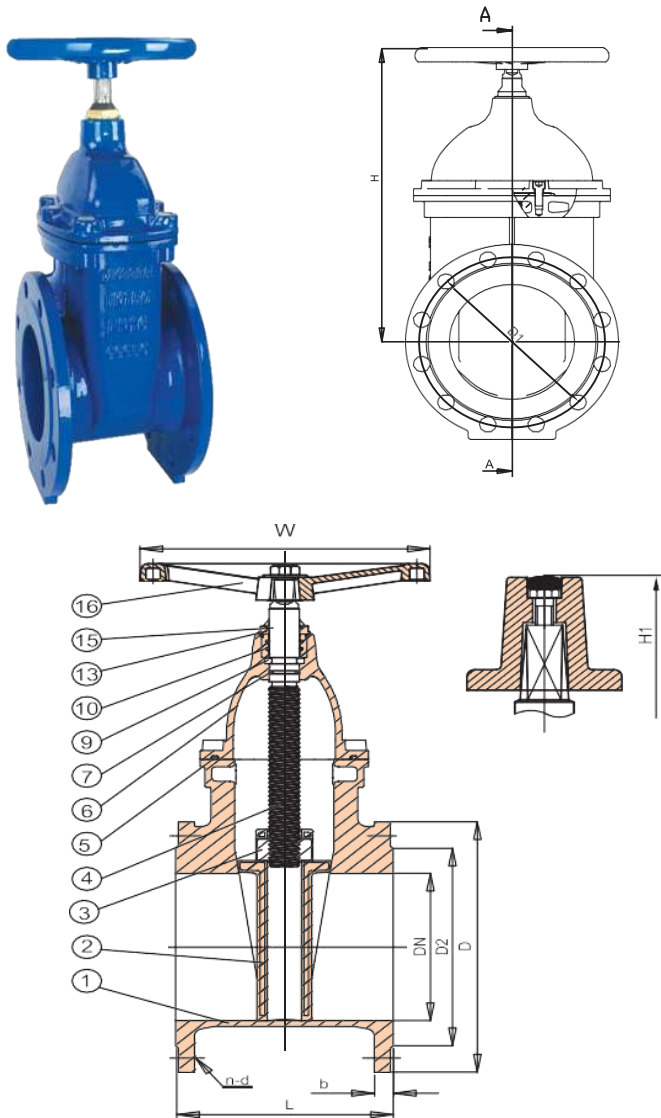


## DIN3352 F4 Non-Rising Stem *Resilient Seated Gate Valve Type B*



### Technical Specification

Design: DIN 3352  
 Face to Face: DIN3202 F4  
 Flanges: EN 1092-2 PN16  
 Hydraulic test to ISO 5208  
 Seat Test Pressure: 17.6 bar  
 Shell Test Pressure: 24 bar  
 Operating Torque Test

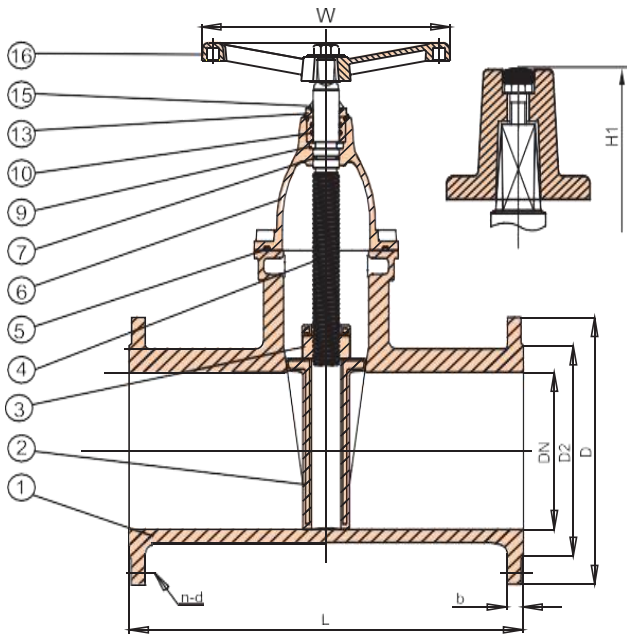
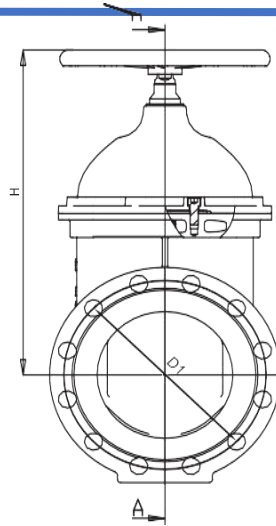
### Materials Specification

No.	Name	Material
1	Body	GGG50
2	Wedge	GGG50+EPDM GGG50+NBR
3	Wedge Nut	Brass
4	Stem	AISI 420
5	Bonnet Gasket	EPDM/NBR
6	Bonnet	GGG50
7	Back Sealing O Ring	EPDM/NBR
10	O-Ring	EPDM/NBR
13	Stuffing Nut	Brass

### Main Dimensions

Size	L	D	D1	D2	b	n-d	H	H1	W	W.T(kg)
DN40	140	150	110	84	19	4-19	240	310	160	9
DN50	150	165	125	99	19	4-19	250	320	160	11
DN60	170	175	135	108	19	4-19	265	335	180	14
DN65	170	185	145	118	19	4-19	265	335	180	14
DN80	180	200	160	132	19	8-19	300	370	200	17
DN100	190	220	180	156	19	8-19	350	420	200	21
DN125	200	250	210	184	19	8-19	410	480	220	29
DN150	210	285	240	211	19	8-23	450	520	250	38
DN200	230	340	295	266	20	12-23	550	620	280	58
DN250	250	405	355	319	22	12-28	650	720	320	90
DN300	270	460	410	370	24.5	12-28	710	780	350	120

## DIN3352 F5 Non-Rising Stem *Resilient Seated Gate Valve Type B*



### Technical Specification

Design: DIN 3352  
 Face to Face: DIN3202 F5  
 Flanges: EN 1092-2 PN16  
 Hydraulic test to ISO 5208  
 Seat Test Pressure: 17.6 bar  
 Shell Test Pressure: 24 bar  
 Operating Torque Test

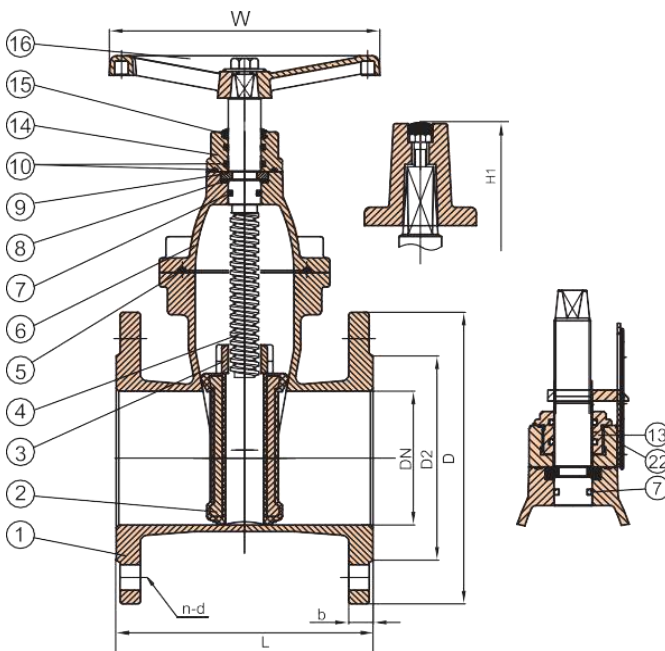
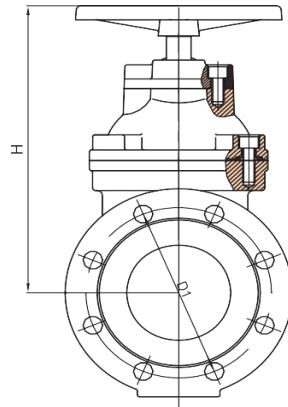
### Materials Specification

No.	Name	Material
1	Body	GGG50
2	Wedge	GGG50+EPDM GGG50+NBR
3	Wedge Nut	Brass
4	Stem	AISI 420
5	Bonnet Gasket	EPDM/NBR
6	Bonnet	GGG50
7	Back Sealing O Ring	EPDM/NBR
10	O-Ring	EPDM/NBR
13	Stuffing Nut	Brass

### Main Dimensions

Size	L	D	D1	D2	b	n-d	H	H1	W	W.T(kg)
DN40	240	150	110	84	19	4-19	240	310	160	10.5
DN50	250	165	125	99	19	4-19	250	320	160	12
DN60	270	175	135	108	19	4-19	265	335	180	15.5
DN65	270	185	145	118	19	4-19	265	335	180	15.5
DN80	280	200	160	132	19	8-19	300	370	200	19.5
DN100	300	220	180	156	19	8-19	350	420	200	25.5
DN125	325	250	210	184	19	8-19	410	480	220	34
DN150	350	285	240	211	19	8-23	450	520	250	45
DN200	400	340	295	266	20	12-23	550	620	280	69
DN250	450	405	355	319	22	12-28	650	720	320	106
DN300	500	460	410	370	24.5	12-28	710	780	350	148

## DIN3352 F4/F5 Non-Rising Stem *Resilient Seated* Gate Valve Type C



### Technical Specification

Design: DIN 3352  
 Face to Face: DIN3202 F4/F5  
 Flanges: EN 1092-2 PN16  
 Hydraulic test to ISO 5208  
 Seat Test Pressure: 17.6 bar  
 Shell Test Pressure: 24 bar  
 Operating Torque Test

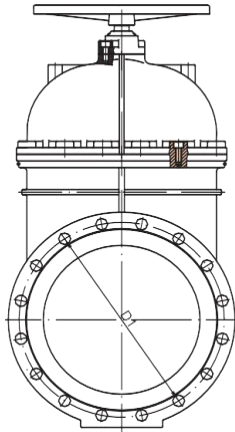
### Materials Specification

No.	Name	Material
1	Body	GGG50
2	Wedge	GGG50+EPDM GGG50+NBR
3	Wedge Nut	Brass
4	Stem	AISI 420
10	O-Ring	EPDM/NBR
11	O-Ring	EPDM/NBR
13	Stuffing Nut	Brass
14	Gland Flange	GGG50
21	Stuffing Bearing	Brass
22	Position Indicator	Stainless Steel

### Main Dimensions

Size	L		D	D1	D2	b	n-d	H	H1	W	W.T(kg)	
	F4	F5									F4	F5
DN40	140	240	150	110	84	19	4-19	240	310	160	9	10.5
DN50	150	250	165	125	99	19	4-19	250	320	160	11	12
DN65	170	270	185	145	118	19	4-19	265	335	180	14	15.5
DN80	180	280	200	160	132	19	8-19	300	370	200	17	19.5
DN100	190	300	220	180	156	19	8-19	350	420	200	21	25.5
DN125	200	325	250	210	184	19	8-19	410	480	220	29	34
DN150	210	350	285	240	211	19	8-23	450	520	250	38	45
DN200	230	400	340	295	266	20	12-23	550	620	280	58	69
DN250	250	450	405	355	319	22	12-28	650	720	320	90	106
DN300	270	500	460	410	370	24.5	12-28	710	780	350	120	148

## DIN3352 F4/F5 Big Size Resilient Seated Gate Valve Type C

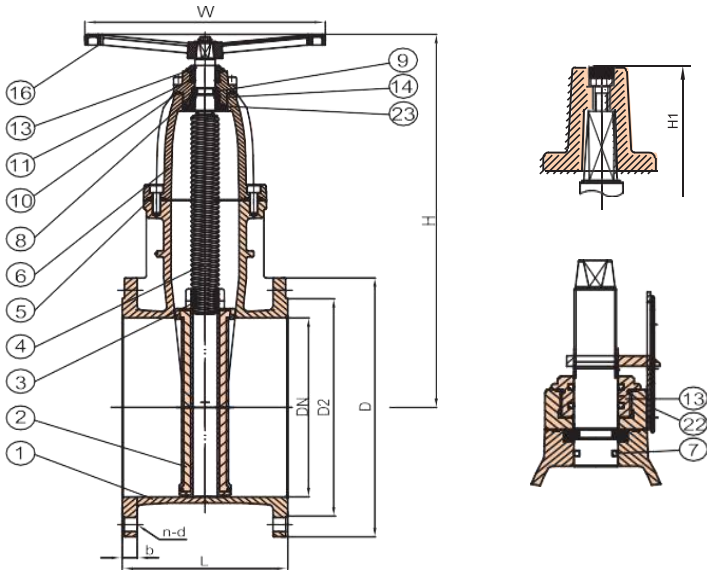


### Technical Specification

Design: DIN 3352  
 Face to Face: DIN3202 F4/F5  
 Flanges: EN 1092-2 PN16  
 Hydraulic test to ISO 5208  
 Seat Test Pressure: 17.6 bar  
 Shell Test Pressure: 24 bar  
 Operating Torque Test

### Materials Specification

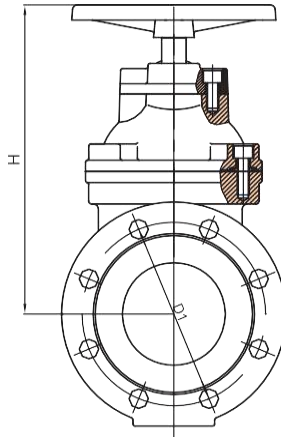
No.	Name	Material
1	Body	GGG50
2	Wedge	GGG50+EPDM GGG50+NBR
3	Wedge Nut	Brass
4	Stem	AISI 420
10	O-Ring	EPDM/NBR
11	O-Ring	EPDM/NBR
13	Stuffing Nut	Brass
14	Gland Flange	GGG50
22	Position Indicator	Stainless Steel
23	Down Bushing	Brass



### Main Dimensions

Size	L		D	D1	D2	b	n-d	H	H1	W	W.T(kg)	
	F4	F5									F4	F5
DN350	290	550	520	470	429	26.5	16-28	762	852	450	180	225
DN400	310	600	580	525	480	28	16-31	836	926	450	235	294
DN450	330	650	640	585	548	30	20-31	957	1047	640	345	431
DN500	350	700	715	650	609	31.5	20-34	1036	1126	640	415	519
DN600	390	800	840	770	720	36	20-37	1188	1278	640	575	719
DN700	430	900	910	840	794	39.5	24-37	1945	1680	530	950	1080
DN800	470	1000	1025	950	901	43	24-40	2137.5	1800	530	1300	1450
DN900	510	1100	1125	1050	1001	46.5	28-40	2137.5	2300	530	1700	1880
DN1000	550	1200	1255	1170	1112	50	28-43	2422.5	2600	600	2100	2500
DN1200	630	1015	1485	1390	1328	57	32Y9	2657.5	2700	600	3000	4100

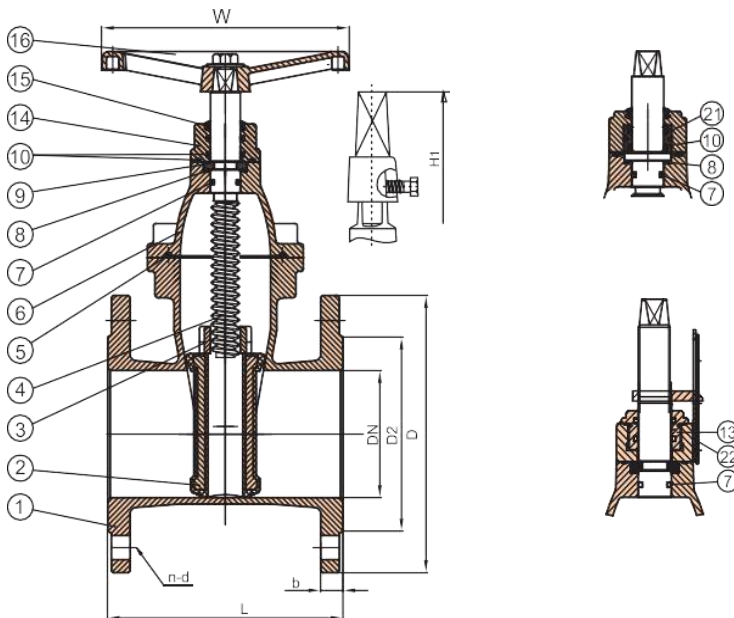
## AS 2638.2 Non-Rising Stem Resilient Seated Gate Valve



### Technical Specification

Design: AS 2638.2  
 Face to Face: AS 2638.2  
 Flanges: AS 2129 Table E  
 Hydraulic test to ISO 5208  
 Seat Test Pressure: 17.6 bar  
 Shell Test Pressure: 24 bar  
 Operating Torque Test

### Materials Specification



No.	Name	Material
1	Body	AS 1831 500-7
2	Wedge	GGG50+EPDM GGG50+NBR
3	Wedge Nut	Brass
4	Stem	AISI 420
10	O-Ring	EPDM/NBR
11	O-Ring	EPDM/NBR
13	Stuffing Nut	Brass
14	Gland Flange	AS 1831 500-7
22	Position Indicator	Stainless Steel
23	Down Bushing	Brass

### Main Dimensions

Size	L	D	D1	D2	b	n-d	H	H1	W	W.T(kg)
DN40	165	150	98	78	19	4-14	240	310	180	10.3
DN50	178	165	114	90	19	4-18	250	320	180	11.5
DN65	190	185	127	103	19	4-18	265	335	180	15
DN80	203	200	146	122	19	4-18	300	370	200	18.5
DN100	229	220	178	154	19	8-18	350	420	200	24
DN125	254	250	210	186	19	8-18	410	480	250	32
DN150	267	285	235	208	19	8-22	450	520	280	34.1
DN200	292	340	292	263	20	8-22	550	620	320	63
DN250	330	405	356	328	22	12-22	650	720	350	95
DN300	356	460	406	378	24.5	12-26	710	780	380	135

## Socket Ends Non-Rising *Resilient Seated* Gate Valve

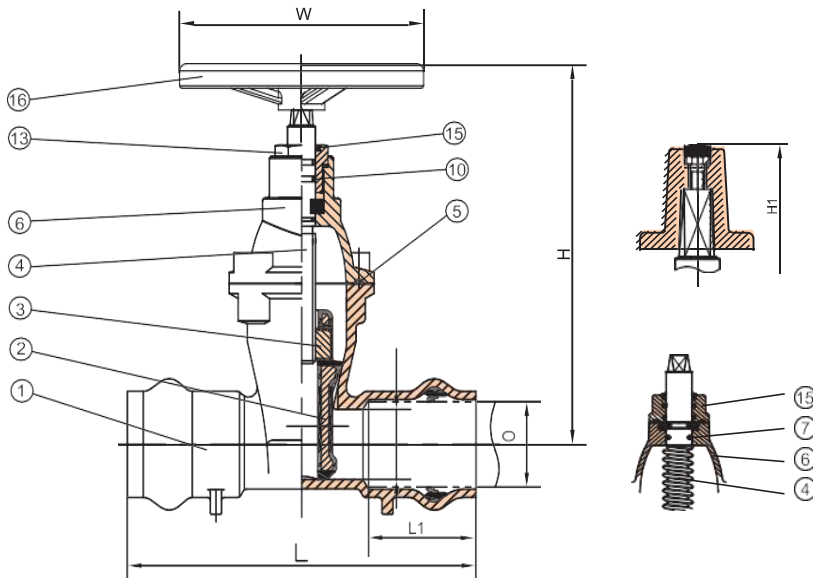


### Technical Specification

Design: DIN 3352/ABS 664  
 Face to Face: DIN 3352/SABS 664  
 Hydraulic test to ISO 5208  
 Seat Test Pressure: 17.6 bar  
 Shell Test Pressure: 24 bar  
 Operating Torque Test

### Materials Specification

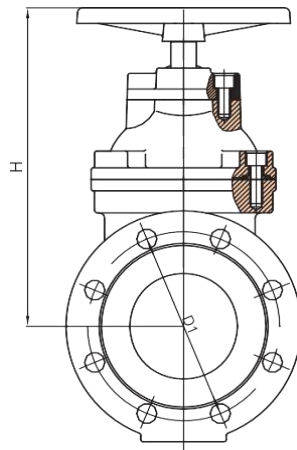
No.	Name	Material
1	Body	GGG50
2	Wedge	GGG50+EPDM GGG50+NBR
3	Wedge Nut	Brass
4	Stem	AISI 420
10	O-Ring	EPDM/NBR
6	Bonnet	GGG50
7	Back Sealing O Ring	EPDM/NBR
13	Stuffing Nut	Brass
15	Gland Flange	GGG50



### Main Dimensions

Size	PIPE DIA.	L		L1	H	H1	W	W.T(kg)		
		0	F5					SABS	F5	SABS
DN50	63		250	335	77	300	340	180	7.15	9.5
DN65	75		270	335	80	310	350	180	8.25	10.5
DN80	90		280	335	84	350	390	200	12.65	15
DN100	110		300	355	88	380	420	220	18.7	21
DN125	125		325	375	91	420	460	220	23.1	27.5
DN125	140		325	375	91	420	460	220	24.2	28
DN150	160		350	405	94	470	510	250	33	38
DN200	200		400	450	100	590	630	280	45.1	50
DN200	225		400	450	100	590	630	280	47.3	55
DN250	250		450	450	125	680	720	320	67.1	67.1
DN300	315		500	500	140	790	830	360	92.4	92.4

## BS 5163 Non-Rising Stem Resilient Seated Gate Valve

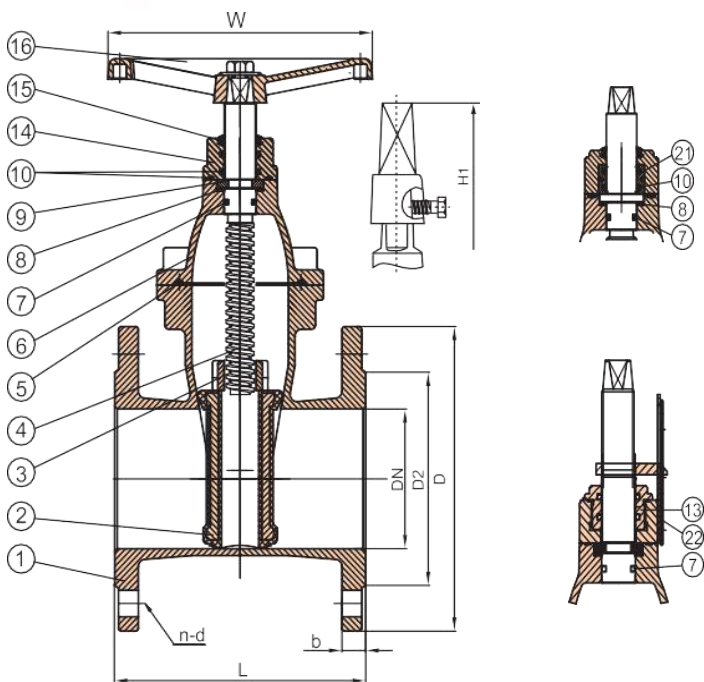


### Technical Specification

Design: BS 5163  
 Face to Face: BS 5163  
 Flanges: EN 1092-2 PN16  
 Hydraulic test to ISO 5208  
 Seat Test Pressure: 17.6 bar  
 Shell Test Pressure: 24 bar  
 Operating Torque Test

### Materials Specification

No.	Name	Material
1	Body	EN-GJS-500-7
2	Wedge	GGG50+EPDM GGG50+NBR
3	Wedge Nut	Brass
4	Stem	AISI 420
10	O-Ring	EPDM/NBR
11	O-Ring	EPDM/NBR
13	Stuffing Nut	Brass
14	Gland Flange	AS 1831 500-7
22	Position Indicator	Stainless Steel
23	Down Bushing	Brass



### Main Dimensions

Size	L	D	D1	D2	b	n-d	H	H1	W	W.T(kg)
DN40	165	150	110	88	19	4-19	240	310	180	10.3
DN50	178	165	125	99	19	4-19	250	320	180	11.5
DN65	190	185	145	118	19	4-19	265	335	180	15
DN80	203	200	160	132	19	8-19	300	370	200	18.5
DN100	229	220	180	156	19	8-19	350	420	200	24
DN125	254	250	210	184	19	8-19	410	480	250	32
DN150	267	285	240	211	19	8-23	450	520	280	34.1
DN200	292	340	295	266	20	12-23	550	620	320	63
DN250	330	405	355	319	22	12-28	650	720	350	95
DN300	356	460	410	370	24.5	12-28	710	780	380	135