

Valve Standard

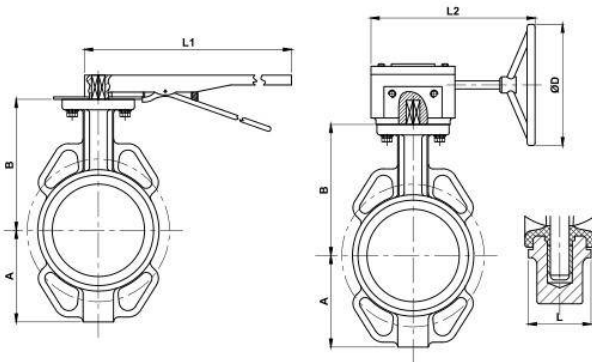
Comply with ISO 5752/BS 5155/BS EN593/MSS SP-67/API 609
Lever/Worm Gear Operator.Epoxy Coated

Pressure Temperature Ratings

Working Pressure	16bar/25bar
Testing Pressure	Shell:24bar/37.5bar
	Seal:17.6bar/27.5bar
Working Temperature	-20°C to 110°C EPDM seat
	-10°C to 80°C NBR seat
Suitable Media	Water, Oil & Gas

Material Specification

Part	Material	ASTM
Body	Cast Iron	A126 Class B
	Ductile Iron	A536 65-45-12
Disc	Ductile Iron	A536 65-45-12
	Bronze	B148 C95400
	Stainless Steel 304	A351 CF-8
	Stainless Steel 316	A351 CF-8M
Shaft	Stainless Steel 316	A276 S 316 00
	Stainless Steel 410	A276 S 410 00
	Stainless Steel 431	A276 S 431 00
Seat Ring	EPDM/NBR/VITON/PTFE	Soft/backrest/vulcanized
	Stainless Steel 304	A276 S 304 00
Taper Pins	Stainless Steel 316	A276 S 316 00
	Stainless Steel 410	A276 S 410 00
Key	Carbon Steel	
O-Ring	EPDM/NBR	
Bushing	PTFE	
	Bronze	B62 C83600



Dimensions:

DN mm	40	50	65	80	100	125	150	200	250	300	350	400	450	500
A	68	80	89	95	114	127	139	175	203	242	267	316	334	370
B	110	161	175	181	200	213	226	260	292	337	368	400	422	480
L	33	42	45	45	51	55	55	60	67	76	76	102	114	127
L1	180	180	180	180	220	276	276	318	318	318	-	-	-	-
L2	-	212	212	212	212	212	212	305	305	305	305	423	423	490
Ø	-	145	145	145	145	145	145	285	285	285	285	385	385	385