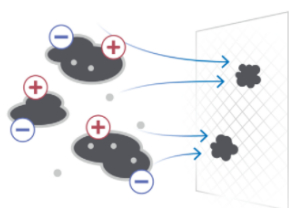
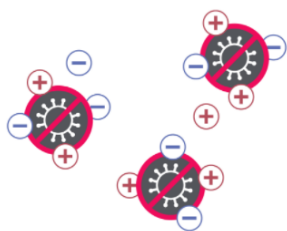


## What is plasma ion generator/plasma ionizer?

Much like sunlight does in the atmosphere, Plasma ion generator produces a natural bio-climate rich in positive and negative oxygen ions. The negative ions contain an extra electron while the positive ions are missing an electron resulting in an unstable condition. In an effort to restabilize, these bipolar ions seek out atoms and molecules in the air to trade electrons with, effectively neutralizing particulate matter, bacteria and virus cells, odorous gases and aerosols, and VOCs.



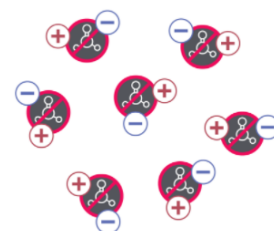
Airborne particles are charged by the ions causing them to cluster and be caught in filters



Bacteria and viruses bond with oxygen ions and are inactivated

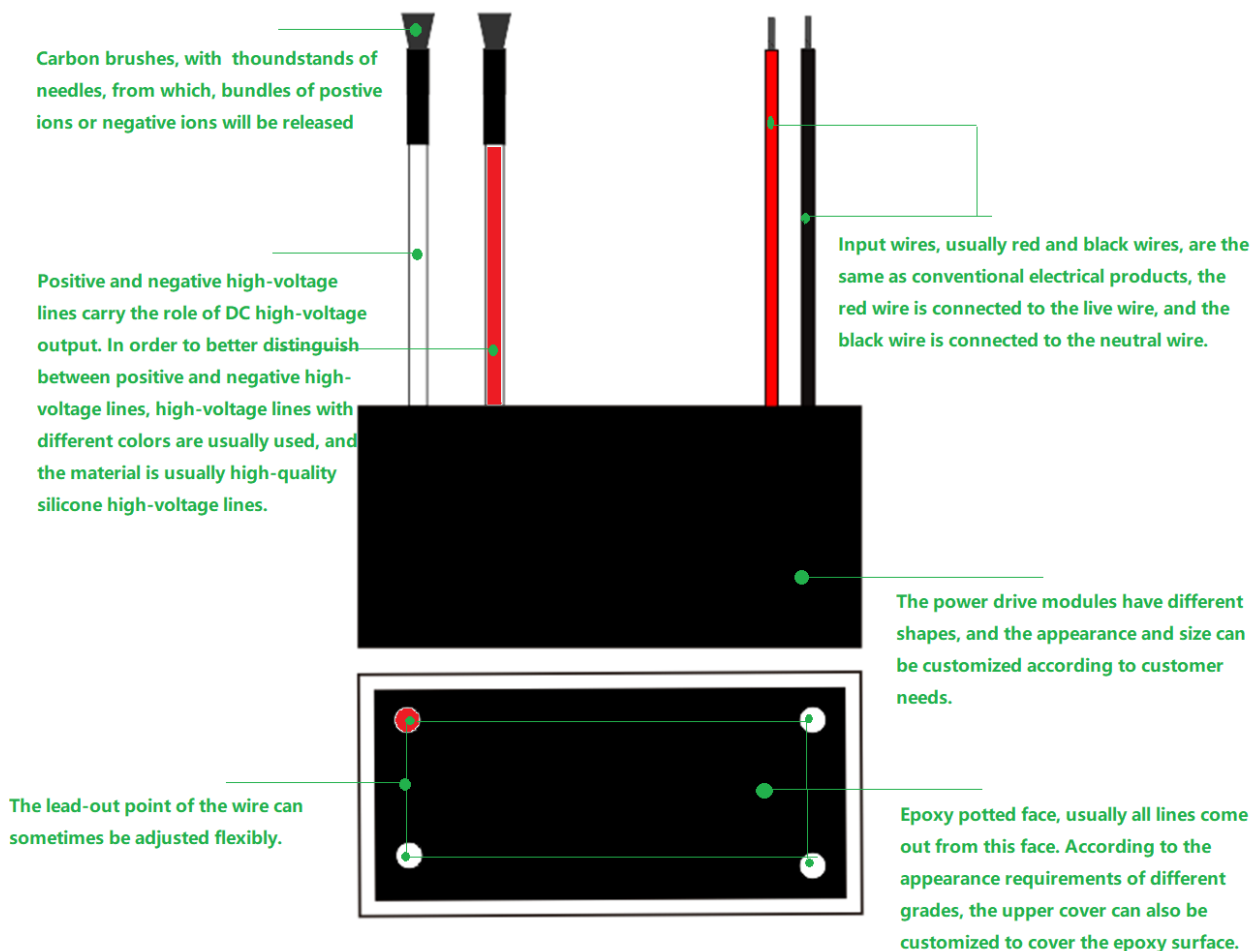


Many odorous gases and aerosols oxidize with oxygen ions and are neutralized

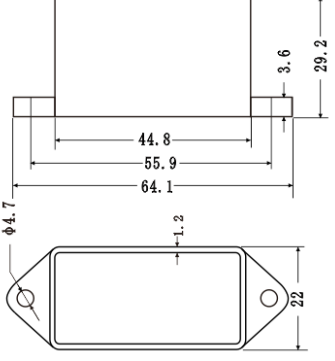
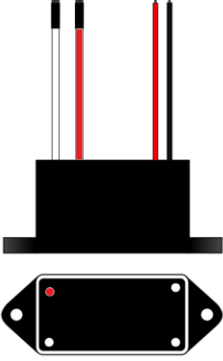
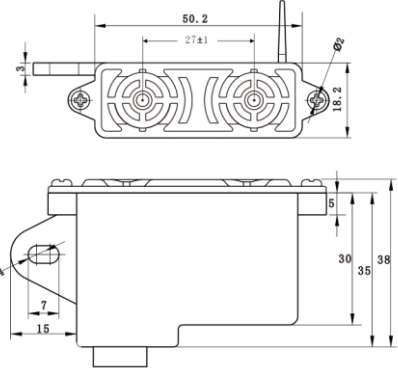
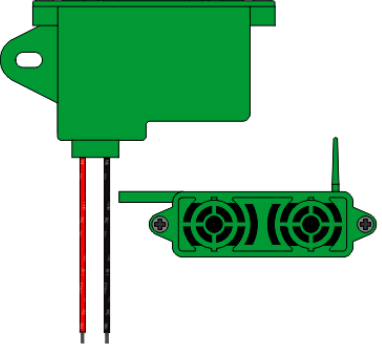
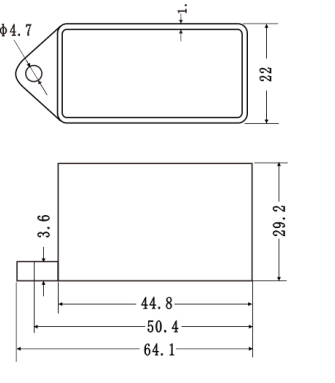
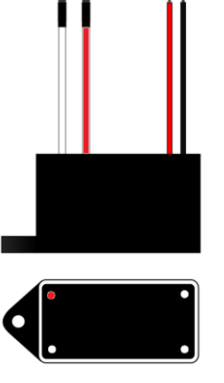
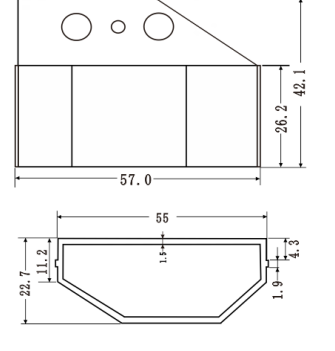
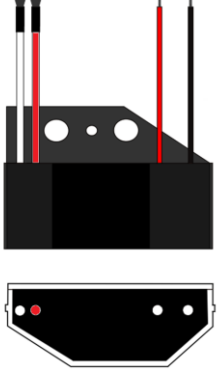


Oxygen ions cause a reaction with VOCs breaking down their molecular structure

## How does plasma ion generator/plasma ionizer look like?



What models we have?

MODEL	Dimensions	Plane perspective
GXI-A		
GXI-A1		
GXI-A2		
GXI-D		

SHANGHAI GOSH ELECTRONIC TECHNOLOGY CO., LTD  
 上海歌溪电子科技有限公司

<p>GXI-F</p>		
<p>GXI-H1</p>		
<p>GXI-H3</p>		
<p>GXI-H4</p>		

SHANGHAI GOSH ELECTRONIC TECHNOLOGY CO., LTD  
 上海歌溪电子科技有限公司

<p>GXI-U</p>		
<p>GXI-H5</p>		
<p>GXI-M</p>		
<p>GXI-T</p>		

**Specifications details:**

<b>GXI-Plasma</b>	<b>DC3.7~5V/DC12V/DC24V/AC100~130V/AC200~240V</b>
<b>Working current:</b>	<50mA
<b>Output negative voltage value</b>	0~-DC6.0±0.5KV(Relative humidity:50%, temperature:28°C)
<b>Negative ion concentration</b>	≥30x10PCS/CM(The distance between the generator and the tester is 10cm for detection)
<b>Output positive voltage value</b>	0~+DC6.0±0.5KV(Relative humidity:50%, temperature:28°C)
<b>Positive ion concentration</b>	≥30x10PCS/CM(The distance between the generator and the tester is 10cm for detection)
<b>Dielectric strength</b>	(There is no breakdown of the power cord to the outer box at AC3750V 5mA 50Hz 3S)
<b>Operating temperature</b>	-10°C~+60°C
<b>Storage temperature</b>	-20°C ~+70°C
<b>Moisture resistance</b>	No power, put it in the environment of temperature 25 °C and humidity 93% for 12 hours, it can work normally
<b>High temperature characteristics</b>	No power, put it in the environment of +70 °C for 12 hours, take it out and return to room temperature, it can work normally
<b>Low temperature characteristics</b>	No power, put it in the environment of -20 °C for 12 hours, take it out and return to room temperature, it can work normally
<b>drop test</b>	put it on 60cm from the ground, make it fall freely to a 3cm thick wooden board, and work normally when electrified
<b>working principle</b>	The input DC or AC power is raised to DC positive and negative high voltage through a pulsed circuit, and the tip is used to discharge the air to ionize the air, thereby generating positive and negatively charged oxygen ions, referred to as plasma; this is similar to "thunder and lightning" to generate plasma.
<b>Appliance</b>	This products is widely used in healthy home appliances and air circulation systems, such as: air purifiers, humidifiers, dehumidifiers, wardrobes, washing machines, clothes dryers, heaters, beauty salon appliances, fitness equipment, lamps, wall-mounted air conditioners, fresh air systems , Central air-conditioning system, car elevator, library air circulation transformation system, automobile, bus, train, subway air circulation system. After adding the plasma purification module, the system adds sterilization, disinfection, and deodorization functions, which increases the selling point and is deeply loved by users.
<b>Custom Instructions</b>	We support sample customization, drawing customization, and new design customization, including shell, wire length, wire gauge, circuit design, etc. All specifications can be customized according to your needs.
<b>Installation advice</b>	This product is recommended to be installed in the air outlet of home appliances. Install the release port (carbon brush or steel needle, or a customized electrostatic precipitator) in a position where the airflow can pass, preferably directly at the position closest to the air outlet, so as to

	avoid loss of ions during evacuation in the pipe.
<b>special attention</b>	The plasma generator is a device that releases both positive and negative ions at the same time. The positive ions and negative ions will neutralize each other at the moment of release, which brings trouble to us when testing the number of ions released. Therefore, when testing the release of positive ions and negative ions, it is necessary to eliminate the influence of each other. It is recommended to test the release of negative ions when the tip of positive ion release is blocked. Similarly, the release of positive ions is tested when the release stage of negative ions is blocked.

**Which is better for you, please contact us for more details:**

---

*SHANGHAI GOSH ELECTRONIC TECHNOLOGY CO., LTD*

*上海歌溪电子科技有限公司*

*CONTACT: LYNN LIU*

*PHONE: 86-15901628456*

*EMAIL: LYNN2011SH@GMAIL.COM LIULING0705@SINA.COM*

---