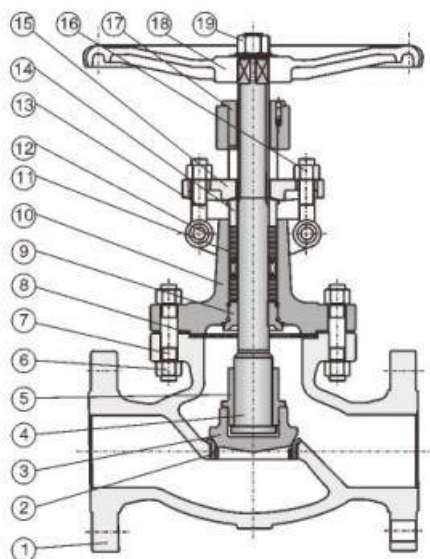


API Cast Steel Globe Valve



Standard

Design and Manufacture: BS 1873 and ANSI B16.34

Inspection and Test: API 598

End flange dimension: ASME B16.5

BW end dimension: ASME B16.5

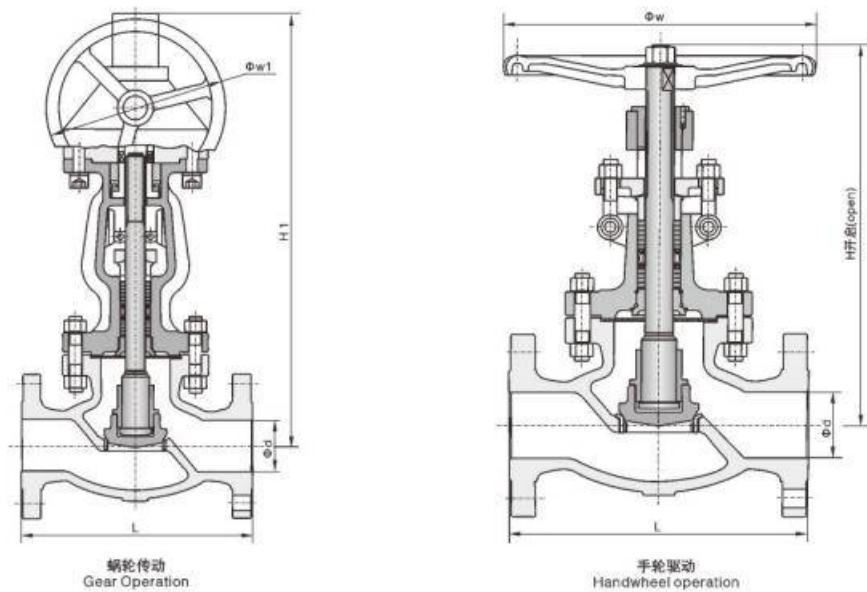
Socket-weld dimension: ASME B16.11

Face to face: ASME B16.10

Material Specification

N o.	Parts name	Materials				
		WCB/Trim 1	WCB/Trim 5	WCB/Trim 8	CF8/304	CF8M/316
1	Body	ASTM A216 WCB			ASTM A351 CF8	ASTM A351 CF8M
2	Seat ring	A105+13Cr	A105+STL	A105+STL	ASTM A351 CF8	ASTM A351 CF8M
3	Disc	ASTMA216WCB+13Cr	ASTMA216WCB+STL	ASTMA216WCB+13Cr	ASTM A351 CF8	ASTM A351 CF8M
4	Stem	ASTM A182 F6a			ASTM A182 F304	ASTMA182 F316
5	Disc nut	ASTM A216 WCB			ASTM A351 CF8	ASTM A351 CF8M
6	Bonnet nut	ASTMA194 2H			ASTM A194 8	ASTM A194 8M
7	Bonnet bolt	ASTMA193 B7			ASTM A193 B8	ASTM A193 B8M
8	Gasket	304+Graphite			304+Graphite	304+Graphite
9	Backseat bushing	ASTMA182 F6a			ASTM A351 CF8	ASTM A351 CF8M
10	Bonnet	ASTM A216 WCB			ASTM A351 CF8	ASTM A351 CF8M
11	Packing	Graphite			Graphite	Graphite
12	Eyebolt pin	ASTMA36			304ss	316ss
13	Gland eyebolt	ASTMA193 B7			ASTM A193 B8	ASTM A193 B8M
14	Gland	ASTMA182 F6a			ASTM A182 F304	ASTM A182 F316
15	Gland flange	ASTM A216 WCB			ASTM A351 CF8	ASTM A351 CF8M
16	Eyebot nut	ASTMA194 2H			ASTMA193 B8	ASTM A193 B8M
17	Stem nut	ASTMA439 D2			ASTMA439 D2	ASTMA439 D2
18	Hand wheel	Ductile iron			Ductile iron	Ductile iron
19	Hand wheel nut	Carbon steel			Carbon steel	Carbon steel

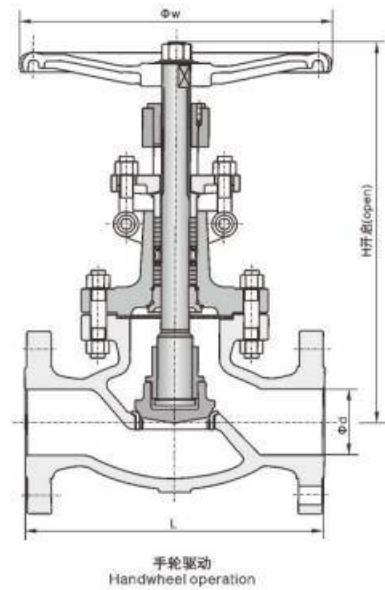
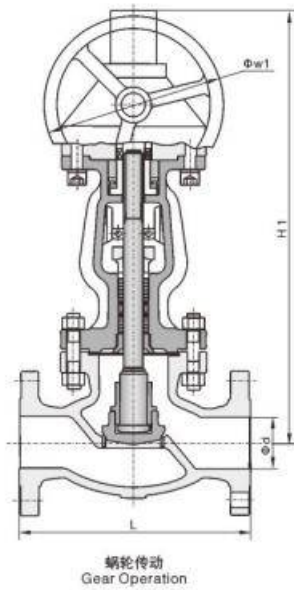
API Cast Steel Globe Valve Class 150



Dimension

Class	Size		Dimensions(mm)								Weight(kg)	
	NPS	DN	L			d	H	H1	w	W1	H.W	G.O
			RF	RTJ	BW							
150	1/2	15	108	119	108	13	192	-	100	-	4	-
	3/4	20	117	130	117	19	193	-	100	-	6	-
	1	25	127	140	127	25	217	-	100	-	8	-
	11/4	32	140	152	140	32	235	-	135	-	12	-
	11/2	40	165	178	165	38	258	-	135	-	16	-
	2	50	203	216	203	51	330	-	200	-	17.5	-
	2 1/4	65	216	229	216	64	360	-	250	-	29	-
	3	80	241	254	241	76	390	-	280	-	32	-
	4	100	292	306	292	102	445	-	300	-	51	-
	5	125	356	369	356	127	480	-	350	-	67	-
	6	150	406	419	406	152	520	556	350	310	92	258
	8	200	495	506	495	203	600	658	400	310	147	300
10	250	622	635	622	254	773	805	450	310	250	450	
12	300	698	711	698	305	880	955	500	310	415	725	

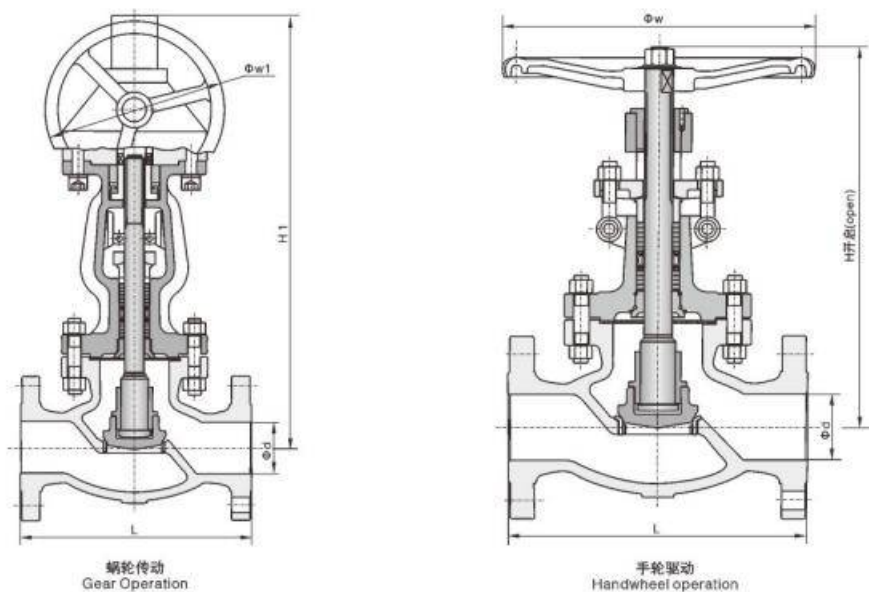
API Cast Steel Globe Valve Class 300



Dimension

Class	Size		Dimensions(mm)								Weight(kg)	
	NPS	DN	L			d	H	H1	w	W1	H.W	G.O
			RF	RTJ	BW							
300	1/2	15	152	164	152	14	185	-	100	-	5	-
	3/4	20	178	191	178	19	195	-	100	-	7	-
	1	25	203	216	203	25	220	-	135	-	10	-
	11/4	32	216	229	216	32	240	-	135	-	14	-
	11/2	40	229	241	229	38	260	-	160	-	19	-
	2	50	267	283	267	51	385	-	200	-	25	-
	2 1/4	65	292	308	292	64	420	-	200	-	42	-
	3	80	311	333	318	76	440	-	280	-	46	-
	4	100	351	371	356	102	515	-	350	-	74	-
	5	125	400	416	400	127	580	-	350	-	111	-
	6	150	444	460	444	152	660	690	400	310	165	195
	8	200	551	575	559	203	900	950	550	460	275	327
10	250	621	638	622	254	950	990	600	460	400	452	
12	300	711	727	711	305	1030	1080	700	460	624	725	

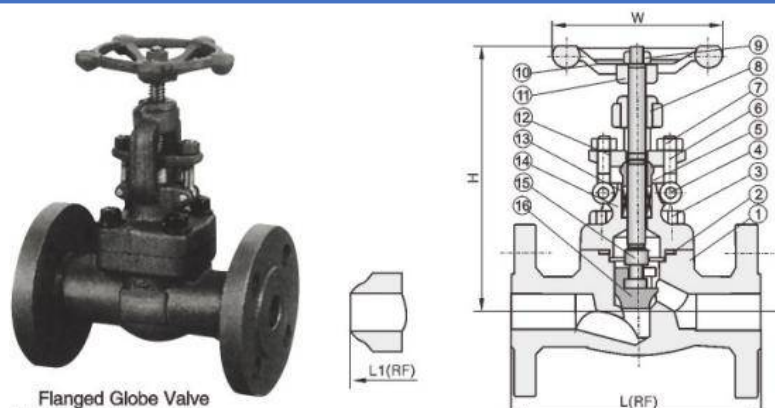
API Cast Steel Globe Valve Class 600/Class 900



Dimension

Class	Size		Dimensions(mm)								Weight(kg)	
	NPS	DN	L			d	H	H1	W	W1	H.W	G.O
			RF	RTJ	BW							
Class 600	2	50	292	295	292	51	360	-	250	-	32	-
	2 1/2	65	330	333	330	64	410	-	280	-	42	-
	3	80	356	359	356	76	465	-	300	-	63	-
	4	100	432	435	432	102	545	575	400	310	107	138
	5	125	508	511	508	127	625	660	500	310	185	215
	6	150	559	562	559	152	785	820	550	460	290	342
Class 900	2	50	368	371	368	51	480	-	350	-	55	-
	2 1/2	65	419	422	419	64	520	-	350	-	68	-
	3	80	381	384	381	76	564	630	400	310	95	128
	4	100	457	460	457	102	685	720	450	310	160	210
	5	125	559	562	559	127	780	840	550	460	270	325
	6	150	610	613	610	152	950	1015	650	460	410	480

API Forged Steel Globe Valve Class 150/Class 300/Class 600



Material Specification

NO	Part Name	CS to ASTM	AS to ASTM	SS to ASTM	SS to ASTM
		Type A105	Type F22	Type F304(L)	Type F316(L)
1	Body	A105	A182 F22	A182 F304(L)	A182 F316(L)
2	Gasket	Corrugated SS+Graphite	Corrugated SS+Graphite	SS+PTFE	SS+PTFE
3	Bonnet Bolt	A193 87	A193 B16	A193 B8	A193 B8M
4	Pin	A276 420	A276 420	A276 304	A276 304
5	Gland	A276410	A276410	A182 F304(L)	A182 F316(L)
6	Gland Eyebolt	A193 B7	A193 B16	A193 B8	A193 B8M
7	Gland Nut	A194 2H	A194 4	A194 8	A194 8M
8	Yoke Nut	A276 410	A276 410	A276 410	A276 410
9	H.W.Nut	A194 2H	A194 4	A194 8	A194 8M
10	Nameplate	SS	SS	SS	SS
11	Handwheel	A197	A197	A197	A197
12	Gland Flange	A216 WCB	A216 WCB	A351 CF8	A351 CF8
13	Stem Packing	Flexible Graphite	Flexible Graphite	PTFE	PTFE
14	Bonnet	A105	A276 304	A182 F304(L)	A182 F316(L)
15	Stem	A182 F6	A182 F304	A182 F304(L)	A182 F316(L)
16	Disc	A276 420	A276 304	A276 304(L)	A276 316(L)
Suitable Medium		W.O.G.etc	W.O.G.etc	HN03.CH300H etc	HN03.CH300H etc
Suitable Temperature		-29°C~425°C	-29°C ~550°C	-29°C~180°C	-29°C~180°C

Dimension

NPS		1/2	3/4	1	1 1/4	1 1/2	2	
L(RF) L1(BW)	Class 150	108	117	127	140	165	203	
	Class 300	152	178	203	216	229	267	
	Class 600	165	190	216	229	241	292	
H(open)	Class 150/300	166	171	207	240	258	330	
	Class 600	171	207	240	258	330	380	
w		100	100	125	160	160	180	
Weight	Class150	RF	4.5	6.9	9.8	13.5	19.5	28.0
		BW	2.3	3.6	7.8	8.2	12.0	15.0
	Class300	RF	4.8	7.7	11.0	16.8	21.2	32.6
		BW	2.8	4.0	8.5	9.2	12.6	16.8
	Class600	RF	5.6	7.8	12.5	17.0	23.5	38.8
		BW	3.4	4.7	9.2	10.5	13.3	18.9